



LARGE SLIDING TABLE

OWNER'S MANUAL

MODEL TSA-SA70



Copyright SawStop, LLC
All Rights Reserved

1st printing, September 2017 - 1.1

Updates of this manual may be
available at www.sawstop.com

The saw shown on the front cover is the Industrial Cabinet Saw, Model ICS.
Your saw may look different.

SawStop, the SawStop blade logo, and the configuration of this product are either registered trademarks or trademarks of SawStop, LLC. Software copyright by SawStop, LLC. All rights reserved.

TO OUR CUSTOMERS

Thank you for purchasing the SawStop Large Sliding Table. We are confident you will be pleased with its quality and performance.

This manual tells you more about your large sliding table and how to operate and maintain it. Please read the manual carefully. The manual also includes our warranty and important safety information.

If you ever have any questions or comments, feel free to contact us at the address below.

SawStop, LLC
11555 SW Myslony Street | Tualatin, Oregon 97062 USA

Phone: (503) 570-3200

Fax: (503) 570-3303

Email: info@sawstop.com

www.sawstop.com

HOW TO GET HELP

Missing Parts? Have Questions?

Our technical support team is standing by
M-F, 7am-5pm PST
to help with whatever you need.



Give us a call at
503.582.9934



Email us at
SERVICE@SAWSTOP.COM



TABLE OF CONTENTS

Product Specs.....	1
Parts Inventory.....	2
Parts & Hardware Lists.....	2
Tools Needed.....	6
Getting to Know Your Large Sliding Table.....	7
Components.....	7
Mounting Options.....	8
Front Mounting WITHOUT Left Wing.....	8
Center Mounting WITHOUT Left Wing.....	9
Rear Mounting WITHOUT Left Wing.....	9
Front Mounting WITH Left Wing.....	10
Center Mounting WITH Left Wing.....	10
Rear Mounting WITH Left Wing.....	11
Modifying Your Table Saw.....	12
Installing your Large Sliding Table.....	13
Shortening the Rails WITH the Extension Wing.....	13
Shortening the Rails WITHOUT the Extension Wing.....	15
Assembling the Support Legs.....	17
Attaching the Mounting Bracket.....	19
Attaching the Positioning Plate.....	23
Attaching the Inner Guide Tube.....	25
Installing the Sliding Table Support Assembly.....	29
Installing the Lateral Brackets.....	32
Installing the Support Legs.....	34
Installing the Outer Guide Tube.....	37
Installing the Sliding Table & Sliding Table Stops.....	38
Adjusting the Sliding Table.....	39
Adjusting the Ball Bearings.....	39
Adjusting the Table Lock Handle.....	41
Adjusting the Spacing.....	42

TABLE OF CONTENTS

Installing the Guide Bearing Assembly.....	44
Setting the Bearing Tension.....	47
Installing the Angle Guide Rail.....	51
Installing the Crosscut Fence Assembly.....	54
Crosscut Fence Assembly Configurations.....	60
Euro Configuration.....	60
Storage.....	64
Installing the Logo Plate.....	65
Adjustments.....	66
Leveling.....	66
Installing the Remaining Support Leg.....	69
Aligning to the Blade.....	71
Setting the Miter Angle Ruler (Front).....	75
Setting the Miter Angle Ruler (Rear).....	78
Setting the Crosscut Fence Ruler.....	80
Operations.....	83
Reference.....	85
Warranty.....	85
Safety.....	86
Warnings.....	86
Support System Exploded View.....	88
Support System Parts List.....	89
Table Assembly Exploded View.....	92
Table Assembly Parts List.....	93
Crosscut Fence Exploded View.....	94
Crosscut Fence Parts List.....	95

PRODUCT SPECIFICATIONS

The SawStop Large Sliding Table is engineered for the demands of the Industrial woodshop and ensures precise, repeatable operation. This Sliding Table makes cutting sheet goods and larger stock easy, with maximum control and sure measurement. A rigid steel frame and 14 sealed, steel bearings ensure a reliable, smooth glide, and adjustability affords both traditional and Euro configurations for a max crosscut of 70”.

Product Specifications	
Net Weight	173 lbs
Sliding Table Dimensions	30” x 30.7”
Maximum Table Travel	71.25”
Maximum Crosscutting Length	118” (On Professional Cabinet Saw without extension wing)
Maximum Rip Capacity (Front Mounting)	49”
Maximum Rip Capacity (Rear Mounting)	70”
Weight Capacity Fully Extended	350 lbs



Parts and Hardware Lists

The Large Sliding Table is shipped partially assembled. Please unpack the parts carefully and confirm you have received each item on both Parts Box lists and all Hardware bags.

If you cannot find an item on the lists, check the mounting locations or examine the packaging materials very carefully. Certain components may have been pre-installed for shipping purposes.

Parts Box (Labeled 2 of 2)

- A.** Inner Guide Tube (Qty. 1)
- B.** Outer Guide Tube (Qty. 1)
- C.** Crosscut Fence (Qty. 1)
- D.** Angle Guide Rail (Qty. 1)
- E.** Mounting Bracket (Qty. 1)

A



B



C



D



E



Parts Box (Labeled 1 of 2)

- F.** Support Leg (Qty. 4)
- G.** Leg Bracket (Qty. 2)
- H.** Stepped Leg Bracket (Qty. 2)
- I.** Positioning Plate (Qty. 1)
- J.** Front Bracket (Qty. 1)
- K.** Support Tube (Qty. 1)
- L.** Lateral Bracket (Qty. 3)
- M.** Sliding Table (Qty. 1)
- N.** Guide Bearing Assembly (Qty. 2)
- O.** Fence Pivot Assembly (Qty. 1)
- P.** Flip Stop (Qty. 1)
- Q.** Fence Lock Assembly (Qty. 1)
- R.** Fence Extension (Qty. 1)
- S.** Logo Plate (Qty. 1)





Retain any unused hardware throughout the installation process, as hardware may be used from more than one bag in later steps.

Hardware Bag 1

- 1.14** Leveling Foot (Qty. 4)
- 1.13** M8 x 1.25 x 5.5mm Hex Nut (Qty. 4)
- 1.10** M8 x 19 x 2 Washer (Qty. 14)
- 1.11** M8 x 1.25 x 16 Hex Head Bolt (Qty. 10)
- 1.16** Fence Storage Bracket (Qty. 2)



Hardware Bag 2

- 1.37** M8 x 1.25 x 30 Hex Head Bolt (Qty. 4)
- 1.39** M8 x 1.25 Lock Nut (Qty. 4)
- 1.10** M8 x 19 x 2 Washer (Qty. 18)
- 1.36** M8 x 1.25 x 12 Socket Head Cap Screw (Qty. 4)
- 1.11** M8 x 1.25 x 16 Hex Head Bolt (Qty. 14)
- 1.41** M5 x 0.8 x 20 Hex Head Bolt (Qty. 3)
- 1.40** M5 x 16 x 1 Washer (Qty. 3)
- 1.43** M5 Lock Nut (Qty. 3)
- 1.7** M8 x 16 x 2 Washer (Qty. 8)



Hardware Bag 3

- 1.11** M8 x 1.25 x 16 Hex Head Bolt (Qty. 2)
- 1.10** M8 x 19 x 2 Washer (Qty. 6)
- 1.44** M8 x 1.25 x 50 Hex Head Bolt (Qty. 2)
- 1.39** M8 x 1.25 Lock Nut (Qty. 2)
- 1.6** M8 x 16 Shoulder Bolt (Qty. 14)
- 1.7** M8 x 16 x 2 Washer (Qty. 14)
- 1.8** M8 x 1.25 Hex Cap Nut (Qty. 14)
- 1.48** M5 x 1.25 x 18 Pan Head Phillips Self-tapping Screw (Qty. 2)
- 1.40** M5 x 16 x 1 Washer (Qty. 2)



Hardware Bag 4

- 1.4** M4 x 0.7 x 12 Button Head Phillips Screw (Qty. 2)
- 1.3** M4 x 10 x 1 Washer (Qty. 2)
- 1.2** Spacer (Qty. 2)
- 2.11** M6 x 1.0 x 20 Lock Handle (Qty. 2)
- 3.5** M6 x 1.0 x 25 Thumb Screw (Qty. 2)



Hardware Bag 5

- 1.50** Frame Support Bracket (Qty. 1)
- 1.47** Cabinet Mounting Bracket (Qty. 1)
- 2.10** M6 x 1.0 x 3.5 T-nut (Qty. 1)
- 2.11** M6 x 1.0 x 20 Lock Handle (Qty. 1)
- 2.30** 6mm Hex T-wrench (Qty. 1)
- 2.31** 5mm Hex T-wrench (Qty. 1)



Tools Needed

- Wrenches or combination wrenches
- 3/4" ratchet
- Metal cutting band saw or hacksaw with metal cutting blade
- Rip fence or straight edge at least 30" long
- Level
- Square
- Tape measure or calipers
- Phillips head screwdriver
- Needle nose pliers
- Drill
- 10mm wrench
- 10mm socket
- 5mm hex wrench
- 8mm wrench

GET TO KNOW YOUR LARGE SLIDING TABLE

PAGES:
7-11

Components

- 1.** Support Leg
- 2.** Leveling Foot
- 3.** Fence Storage Bracket
- 4.** Leg Bracket
- 5.** Stepped Leg Bracket
- 6.** Mounting Bracket
- 7.** Positioning Plate
- 8.** Inner Guide Tube
- 9.** Bearing Guide Channel
- 10.** Front Bracket
- 11.** Frame Support Bracket
- 12.** Support Tube
- 13.** Cabinet Mounting Bracket
- 14.** Lateral Bracket
- 15.** Outer Guide Tube
- 16.** Sliding Table
- 17.** Angle Guide Rail
- 18.** Table Position Handle
- 19.** Fence Pivot Plate
- 20.** Crosscut Fence
- 21.** Fence Pivot Assembly
- 22.** Fence Lock Assembly
- 23.** Fence Extension
- 24.** Flip Stop



Mounting Options

The SawStop Large Sliding Table can be mounted to your SawStop table saw in any of **six different table orientations** and **three fence positions**.

Fence Positions:

90° Euro:

Provides the Large Sliding Table's maximum ripping length by installing crosscut fence at the rear of the sliding table.

90° Traditional:

Positions the fence at the front of the sliding table.

45° Traditional:

Use traditional mounting for miter cuts.

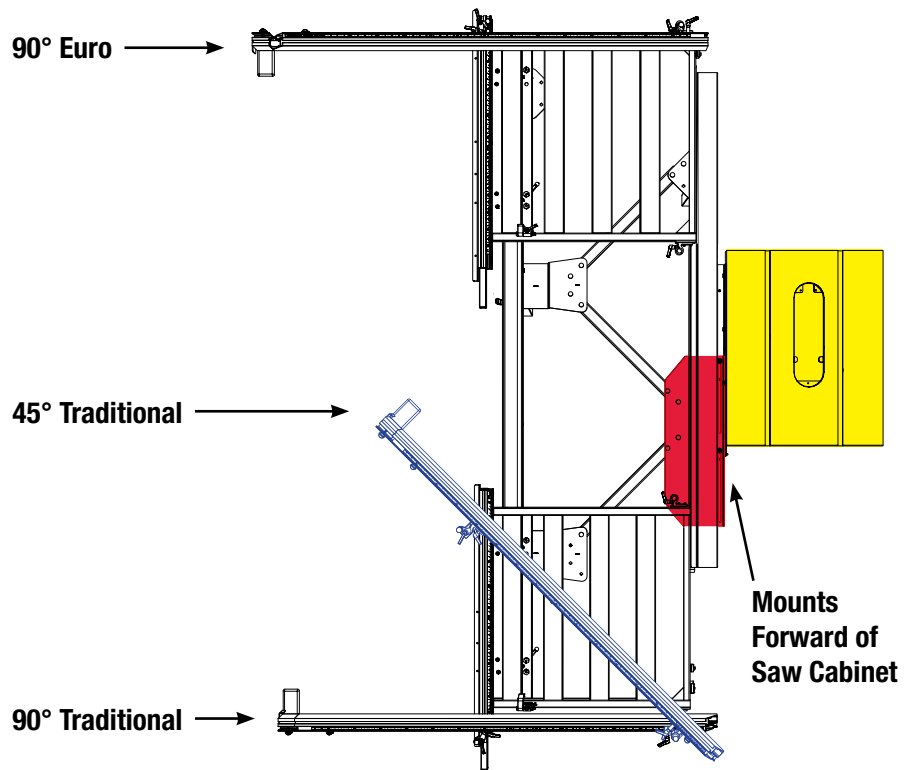
Capacities:

TABLE ORIENTATION	FENCE POSITION	PCS	ICS
Rear Mount	90° Euro	70.25"	70"
Center Mount	90° Euro	59.25"	59"
Front Mount WITH Left Wing	45° Traditional	55.25"	55.25"
Front Mount	90° Traditional	48.50"	49.50"
Front Mount	90° Euro	48.25"	48"
Center Mount WITH Left Wing	45° Traditional	47.50"	47.50"
Front Mount W/O Left Wing	45° Traditional	46.25"	47.75"
Rear Mount WITH Left Wing	45° Traditional	40"	40"
Center Mount W/O Left Wing	45° Traditional	38.50"	40"
Center Mount	90° Traditional	37.50"	37.75"
Rear Mount W/O Left Wing	45° Traditional	30.50"	32.25"
Rear Mount	90° Traditional	26.50"	26.75"

Front Mounting **WITHOUT** Left Wing

Option 1 of 6
Start on Page 15

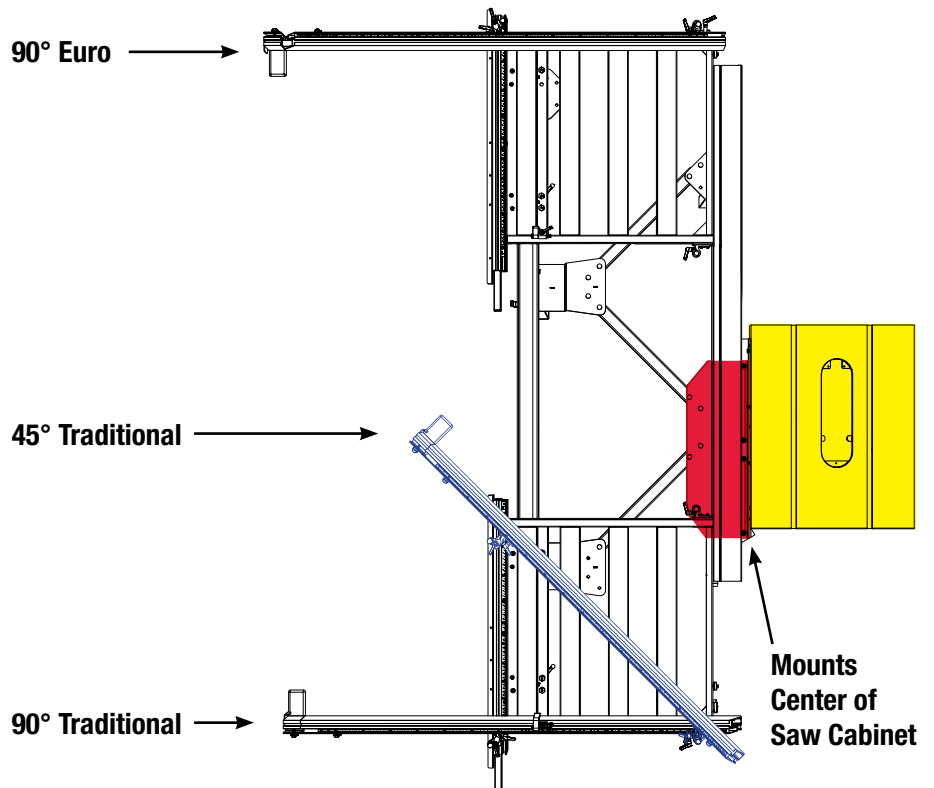
Provides the maximum ripping length with the crosscut fence in the traditional configuration. Since the left wing is not installed, the crosscut table is close to the saw blade.



Center Mounting **WITHOUT** Left Wing

Option 2 of 6
Start on Page 15

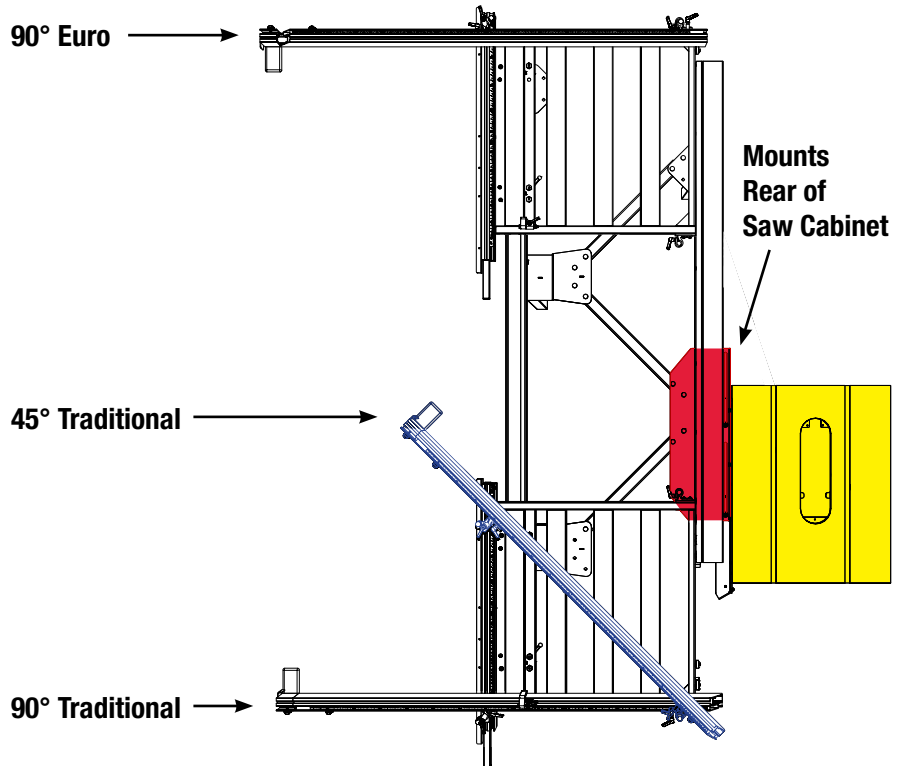
This configuration minimizes the total footprint of the table saw and crosscut table and is the closest position of the crosscut table to the saw. The ripping length with the crosscut fence in the traditional configuration is reduced from 49" to 37.5".



Rear Mounting WITHOUT Left Wing

Option 3 of 6
Start on Page 15

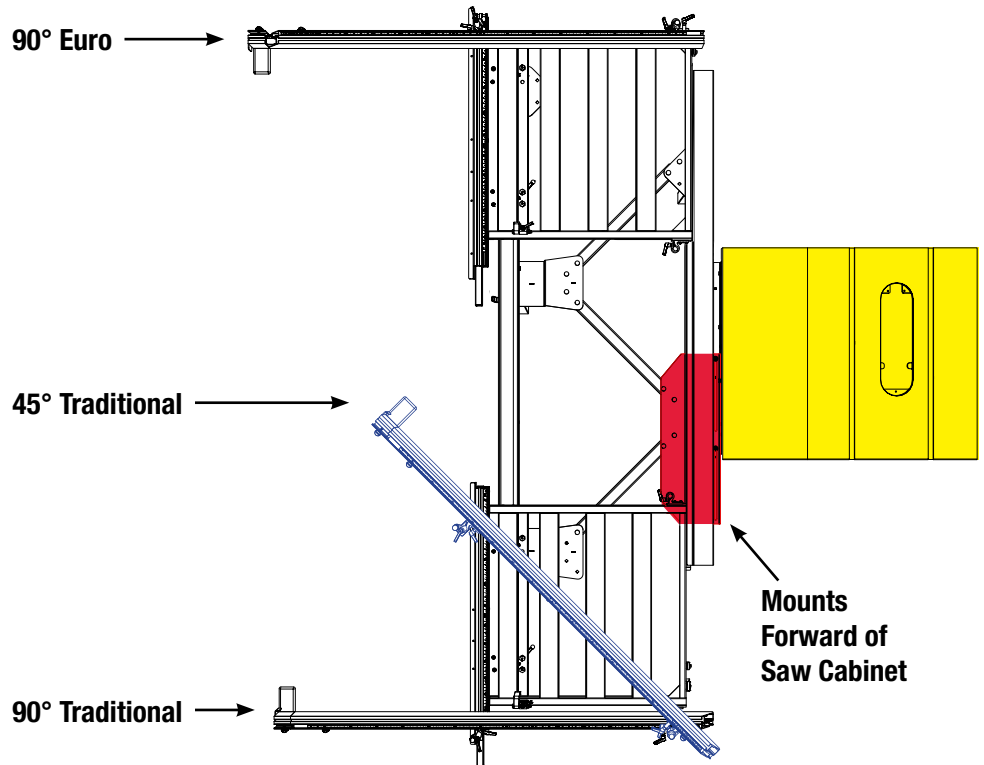
This configuration provides the maximum ripping length with the crosscut fence in the Euro configuration. Since the left wing is not installed, the crosscut table is close to the blade.



Front Mounting WITH Left Wing

Option 4 of 6
Start on Page 13

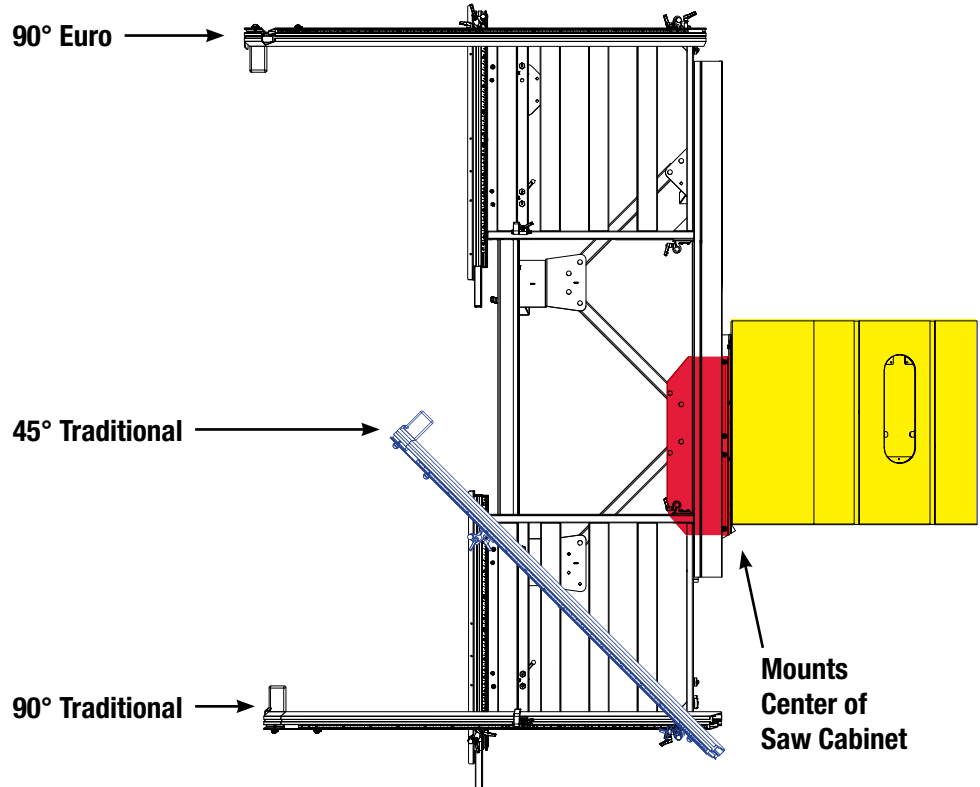
This configuration provides the maximum ripping length with the crosscut fence in the traditional configuration while also maintaining the additional support to the left of the blade provided by the left extension wing.



Center Mounting WITH Left Wing

Option 5 of 6
Start on Page 13

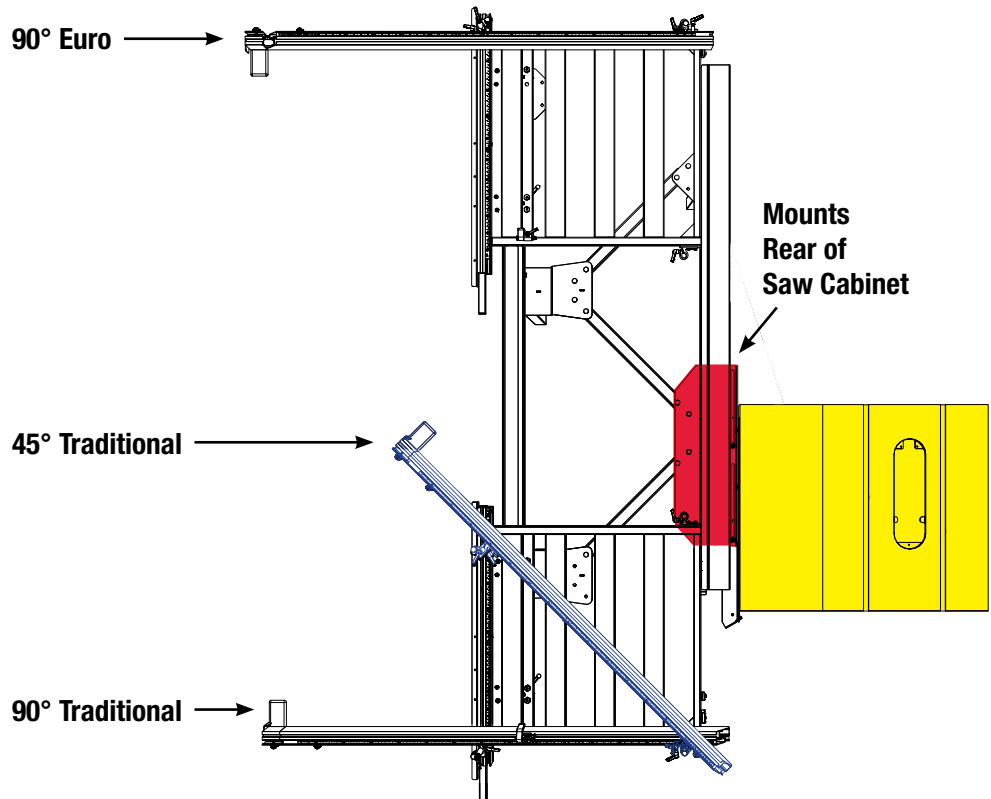
This configuration reduces the front-to-back footprint of the saw and crosscut table while maintaining the additional support to the left of the blade provided by the extension wing.



Rear Mounting WITH Left Wing

Option 6 of 6
Start on Page 13

This configuration provides the maximum ripping length with the crosscut fence in the Euro configuration while also maintaining the additional support to the left of the blade provided by the left extension wing.



MODIFYING YOUR TABLE SAW

Before mounting the Large Sliding Table, you may need to modify your table saw.

Some of the steps below involve removing/installing your rails, switchbox, and extension wing. For those steps, please refer to your table saw manual and fence manual. (You can download copies of your manuals at www.sawstop.com.)



DISCONNECT YOUR TABLE SAW FROM ELECTRICAL POWER BEFORE BEGINNING ANY MODIFICATIONS.

For Unassembled Saws: If your saw has not yet been assembled, you will first need to pre-install the rails to mark them for cutting.

- If you plan to mount the Large Sliding Table with the left extension wing, begin by installing and aligning the left extension wing as described in the installation documentation for your table saw.
- If you plan to mount the Large Sliding Table without the left extension wing, then do not install the wing for this step.
- Next, install your rail assembly to the saw as described in your fence manual. It is not necessary to install every screw or to fully align and tighten your rails at this time.
- Now proceed to page 13 if you plan to install the Large Sliding Table with the left extension wing.
- Alternatively, proceed to page 15 if you plan to install the Large Sliding Table without the left extension wing.

Shortening the Rails WITH the Extension Wing

Modifying your table saw to install the Large Sliding Table WITH the Left Extension Wing:

You will need to shorten your **front** rail to mount the sliding table attachment with the left extension wing, so proceed to step 1 below.

If the left end of the **rear** rail does not extend past the left edge of the extension wing, then no modification is necessary for the rear rail. Complete the assembly of your saw and rear rail as specified in your fence manual.

If, however, the left end of the **rear** rail does extend past the left edge of the extension wing, then you will need to shorten your rear rail, so continue to step 1 below.

WITH EXTENSION WING

- 1** Mark the front rail and main tube 1 1/4" to the right of the left edge of the left extension wing. If shortening the rear rail, mark the rear rail 1/4" to the right of the left edge of the extension wing.
- 2** Use a 13mm wrench to remove the bolts from the underside of the main tube. Set it aside.
- 3** Use a 13mm wrench and 5mm hex wrench to remove the front rail (and rear rail if shortening rear rail).
- 4** Use a metal cutting band saw or a hack saw with a metal cutting blade to cut off the front rail and main tube (and rear rail if shortening rear rail) at the marks made in step 1.



USING OTHER TYPES OF SAWS (SUCH AS A CIRCULAR SAW) CAN GENERATE ENOUGH HEAT TO BLISTER THE POWDER COATING. IT IS STRONGLY SUGGESTED THAT YOU USE A METAL CUTTING BAND SAW OR A HACK SAW WITH A METAL CUTTING BLADE ONLY.

WITH EXTENSION WING

- 5 Remove any burrs or sharp edges with a file.
- 6 Remove the plastic end cap from the cut off portion of the main tube and install it on the new left end of the main tube.
- 7 If necessary, complete the assembly of your saw then re-install the front and rear rails and the main tube (refer to your saw and fence manuals).

When finished, continue to page 17.



Modifying your table saw to install the Large Sliding Table WITHOUT the Left Extension Wing:

You will need to shorten your rails to mount the sliding table attachment without the left extension wing, so proceed to step 1 below.

WITHOUT EXTENSION WING

- 1** Find the seam between the table and the left extension wing (or the left edge of the table if the wing is not installed). Mark the front rail and main tube 1 1/4" to the right of the seam (or edge). Mark the rear rail 1/4" to the right of the seam (or edge).
- 2** Use a 13mm wrench to remove the bolts from the underside of the main tube. Set it aside.
- 3** Use a 13mm wrench and 5mm hex wrench to remove the front and rear rails.
- 4** **For PCS ONLY:** if you have not yet mounted the switch box assembly to your saw, skip to step 6 below. If your switch box assembly has already been mounted to your saw, use an hex wrench to remove the two bolts that mount the switch box bracket to the main table. Allow the switch box assembly to dangle in place.
- 5** If the wing is already installed, use either a 17mm wrench (for ICS) or 13mm wrench (for PCS) to remove the left extension wing from the table saw.
- 6** Use a metal cutting band saw or a hack saw with a metal cutting blade to cut off the front rail, rear rail, and main tube at the marks made in Step 1.
- 7** Remove any burrs or sharp edges with a file.



USING OTHER TYPES OF SAWS (SUCH AS A CIRCULAR SAW) CAN GENERATE ENOUGH HEAT TO BLISTER THE POWDER COATING. IT IS STRONGLY SUGGESTED THAT YOU USE A METAL CUTTING BAND SAW OR A HACK SAW WITH A METAL CUTTING BLADE ONLY.

WITHOUT EXTENSION WING

- 8 Remove the plastic end cap from the cut off portion of the main tube and install it on the new left end of the main tube.
- 9 If necessary, complete the assembly of your saw (without the left extension wing) but do not mount the switch box if your saw is a PCS.

Next, re-install the front and rear rails and the main tube (refer to your fence manual).

When finished, continue on to the next page.



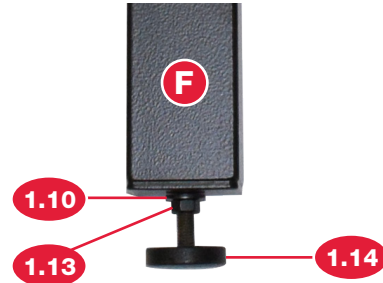
Assembling the Support Legs

For installations **WITH OR WITHOUT** the extension wing.

Requires: Hardware Bag 1 (p.4)
13mm Wrench

**WITH OR WITHOUT
EXTENSION WING**

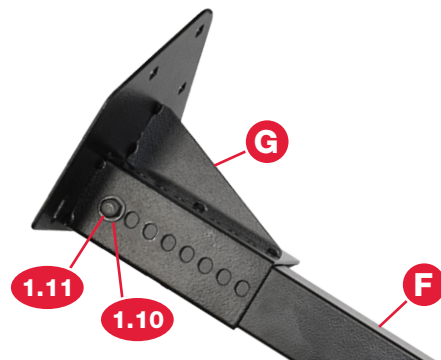
- 1 Insert a leveling foot (1.14) through a hex nut (1.13) and a washer (1.10), and then partway into the base of a support leg (F), leaving about 1" between the top of the leveling foot and the bottom of the support leg. Only finger-tighten the nut at this time.



- 2 Repeat step 1 for the remaining three support legs.



- 3 Slide the top of one of the support legs (F) into the opening in one of the two leg brackets (G), so the holes in the top of the support leg align with the top of the leg bracket. With the holes aligned, insert a hex head bolt (1.11) through a washer (1.10), then through one of the two exposed holes in the leg bracket (G) and support leg (F). Secure the bolt using a 13mm wrench.



WITH OR WITHOUT

EXTENSION WING

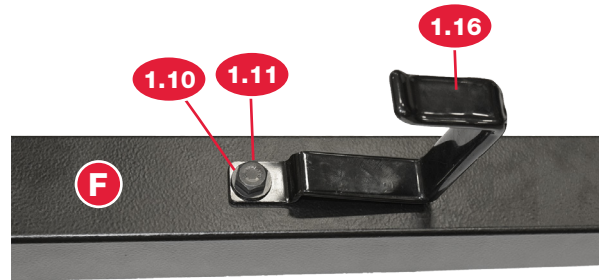
- 4 Repeat step 3 for the other exposed hole in the leg bracket and support leg.



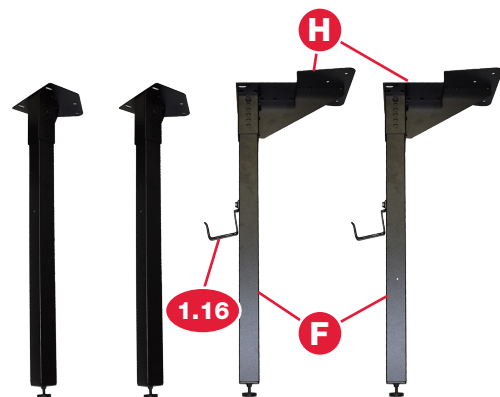
- 5 Repeat the procedure in step 3 to install the stepped leg brackets (H) to the remaining two support legs (F).



- 6 Insert a hex head bolt (1.11) through a washer (1.10) and a fence storage bracket (1.16), then through the hole near the middle of one of the support legs (F) with the stepped leg bracket attached from step 5. Align the fence storage bracket (1.16) so the sides are parallel with the support leg (F) and the hook portion faces away from the leveling foot.



- 7 Repeat step 6 to install the other crosscut fence storage bracket (1.16) to the remaining support leg (F) with stepped leg bracket (H). Make sure the fence storage brackets (1.16) face away from the stepped portion of the stepped leg brackets.



Attaching the Large Sliding Table Mounting Bracket

For installations **WITH** the extension wing.

Requires: Hardware Bag 2 (p.4)
Two 13mm Wrenches

WITH EXTENSION WING

- 1 Position the mounting bracket (E) next to the left edge of the left extension wing and align the mounting holes in the side of the mounting bracket with the holes in the side of the extension wing. See Fig. 1 for ICS, or Fig. 2 for PCS.

Fig. 1



Fig. 2



- 2 With the mounting holes aligned, and the top of the mounting bracket (E) about 1/16" below the top surface of the extension wing, insert a hex head bolt (1.37) through a washer (1.7), then through one of the exposed holes in the mounting bracket (E) and the extension wing. Secure the bolt in place with a second washer (1.7) and a lock nut (1.39). Only finger tighten the nut at this time.



UNDER TABLE VIEW

WITH EXTENSION WING

- 3** For ICS saws **ONLY**: Repeat step 2 for the other two sets of exposed holes.



- 4** For PCS saws **ONLY**: Repeat step 2 for the other three sets of exposed holes.



i

Make sure to position the bolts in the mounting bracket as high as possible in the elongated holes. This will prevent the bolts and washers from interfering with positioning plate when it is installed in a later step.

- 5** Check to make sure the mounting bracket is somewhat level, then use 13mm wrenches to tighten the bolts. Place one wrench on the bolt head to hold it in place and use the other wrench to tighten the nut.



For installations **WITHOUT** the extension wing.

Requires: Hardware Bag 2 (p.4)
13mm Wrench

WITHOUT EXTENSION WING

- 1 Position the mounting bracket (E) on the left edge of the saw table and align the mounting holes. See Fig. 1 for ICS, or Fig. 2 for PCS.

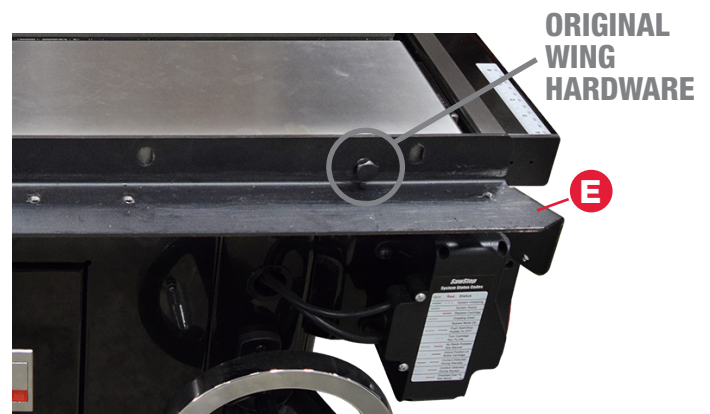
Fig. 1



Fig. 2

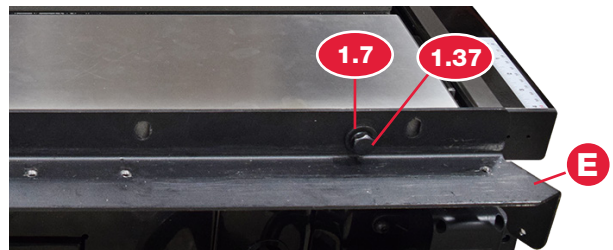


- 2 **For ICS saws ONLY:** With the mounting holes aligned, and the top of the mounting bracket (E) about 1/16" below the top surface of the table, use the original wing hardware to attach the mounting bracket. Insert the bolt through the lock washer, through the mounting bracket (E) and into the table. Only finger tighten the bolt at this time.



WITHOUT EXTENSION WING

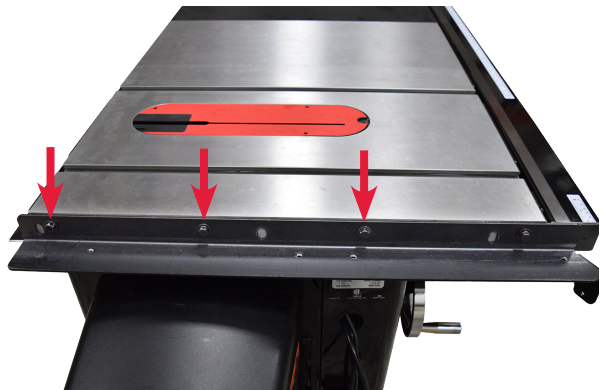
3 For PCS saws ONLY: With the mounting holes aligned, and the top of the mounting bracket (E) about 1/16" below the top surface of the table, insert a M8 x 1.25 x 30 hex head bolt (1.37) through a washer (1.7), then through one of the four exposed holes in the mounting bracket (E) and the table. Only finger tighten the bolt at this time.



4 For ICS saws ONLY: Repeat step 2 for the other two sets of exposed holes.



5 For PCS saws ONLY: Repeat step 3 for the other three sets of exposed holes.



5 Check to make sure the mounting bracket is somewhat level, then use a 13mm wrench to tighten the bolts.



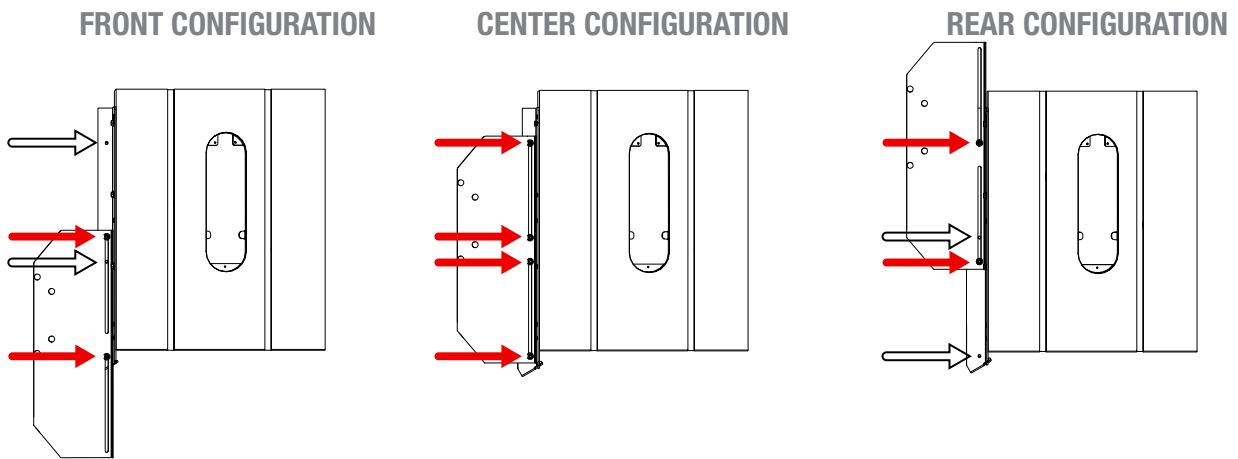
Attaching the Large Sliding Table Positioning Plate

For installations **WITH OR WITHOUT** the extension wing.

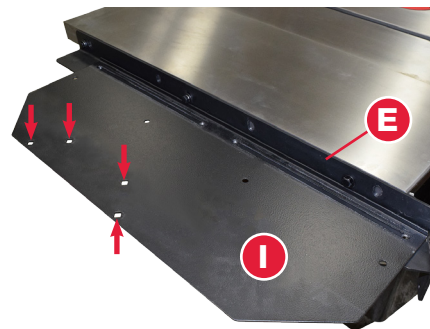
Requires: Hardware Bag 2 (p.4)
6mm Hex Wrench

**WITH OR WITHOUT
EXTENSION WING**

The positioning plate can be attached to the mounting bracket in three configurations: front, center, and rear. Attach the positioning plate with either 2 or 4 socket head cap screws from hardware bag 2 depending on which configuration you choose, as shown by the red arrows in the diagrams below. The instructions below will be based on the center configuration.



- 1 Position the positioning plate (I) on the mounting bracket (E), such that the square holes for the lateral brackets (shown by the red arrows) are towards the rear of the saw.



- 2 Align the two elongated mounting slots in the positioning plate (I) with the four mounting holes in the mounting bracket (E), then thread four socket head cap screws (1.36) with four washers (1.10) through the sliding table positioning plate (I) and into the exposed mounting holes in the sliding table mounting bracket.



WITH OR WITHOUT
EXTENSION WING

- 3 Tighten the four socket head cap screws (1.36) with a 6mm hex wrench.



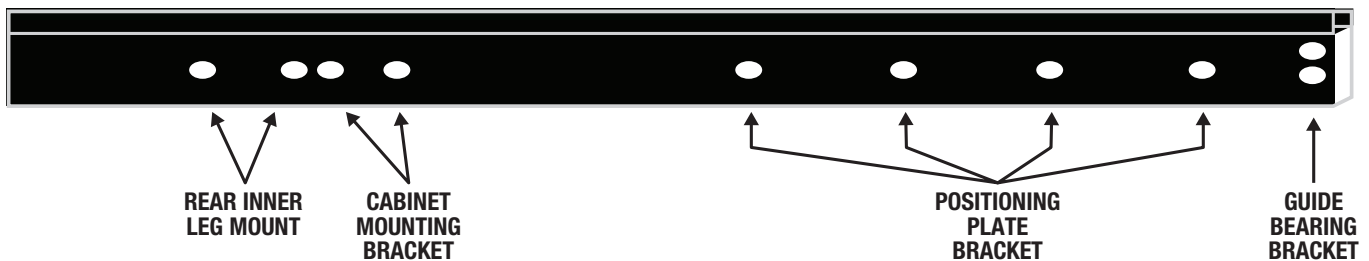
Attaching the Inner Guide Tube

For installations **WITH OR WITHOUT** the extension wing.

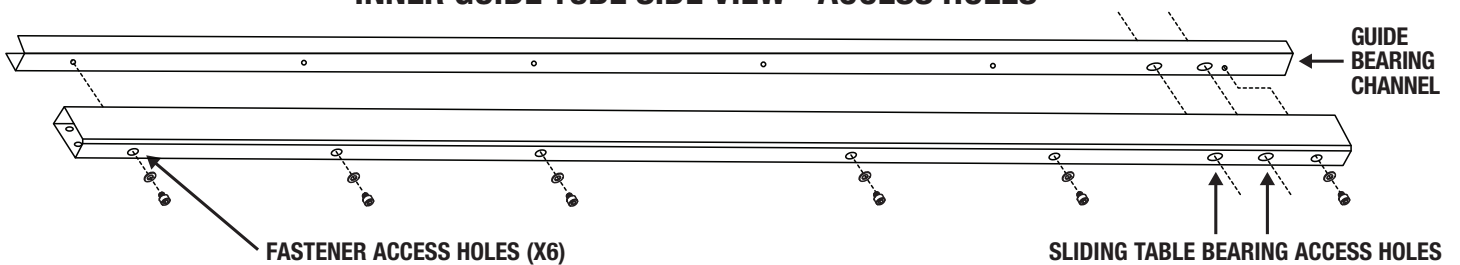
Requires: Hardware Bag 2 (p.4)
13mm Wrench
8mm Wrench
Measuring Tape or Calipers

**WITH OR WITHOUT
EXTENSION WING**

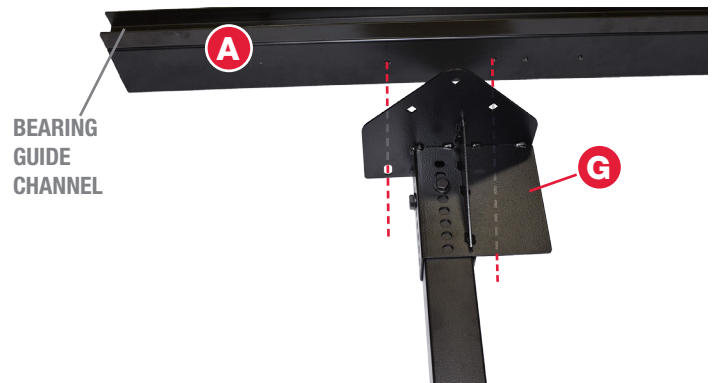
INNER GUIDE TUBE UNDERSIDE VIEW - THREADED HOLES



INNER GUIDE TUBE SIDE VIEW - ACCESS HOLES



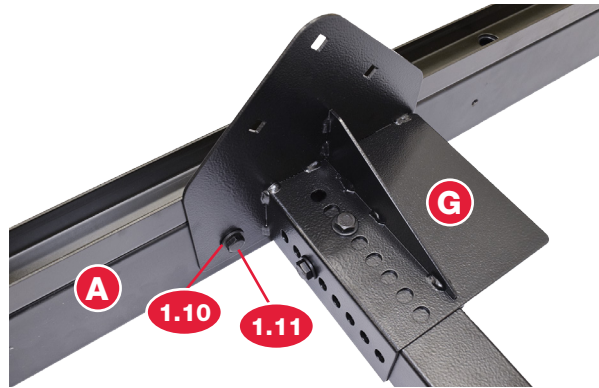
- 1 Place the inner guide tube (A) on its rear edge (so the bearing guide channel faces up), and align the two round mounting holes in the leg bracket (G) with the two rear threaded holes in the inner guide tube (A).



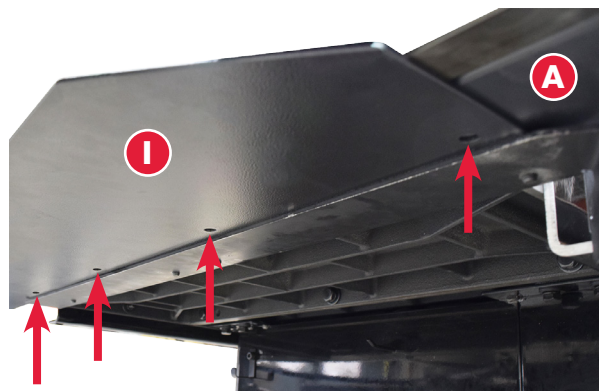
WITH OR WITHOUT

EXTENSION WING

- 2 Attach the leg bracket (G) to the inner guide tube (A) using two hex head bolts (1.11) and two washers (1.10). Use a 13mm wrench to tighten the bolts. The inner guide tube (A) will be adjusted in the elongated holes in a later step.



- 3 Lift the inner guide tube (A) and position it on the positioning plate (I) so the four exposed circular mounting holes in the positioning plate align with four threaded holes in the inner guide tube. The inner guide tube (A) will extend past the back of the saw.



- 4 Pass a hex head bolt (1.11) through a washer (1.10) and thread it into one of the four exposed mounting holes in the positioning plate (I) and inner guide tube (A). Only finger tighten the bolt.



- 5 Repeat step 4 for the other three exposed holes in the positioning plate (I) and inner guide tube (A).



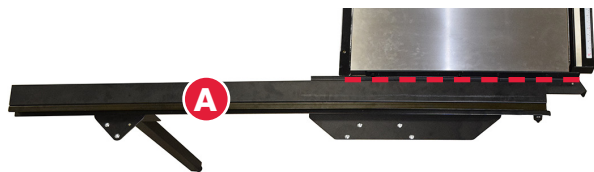
WITH OR WITHOUT

EXTENSION WING

- 6 Adjust the leveling foot (1.14) in the support leg (F) as necessary to ensure the inner guide tube (A) is level, then use a 13mm wrench to tighten the hex nut (1.13) on the leveling foot (1.14).



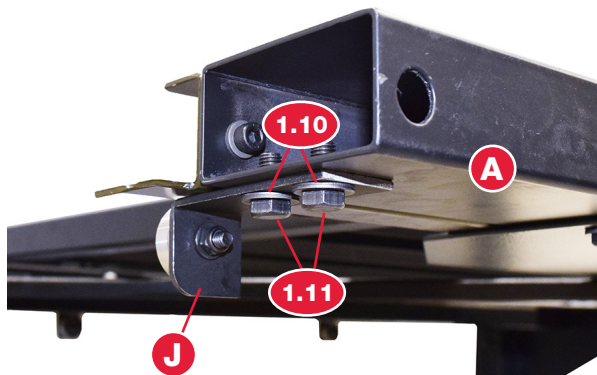
- 7 Use a tape measure or calipers to make sure the inner guide tube (A) is fairly parallel with the main table or extension wing. For reference, the gap between the inner guide tube and the table/wing is approximately 31mm.



- 8 Tighten the four bolts using a 13mm wrench.



- 9 Mount the front guide bearing bracket (J) to the underside of the front of the inner guide tube (A) using two hex head bolts (1.11) and two washers (1.10). Use a 13mm wrench to tighten the bolts.



WITH

OR

WITHOUT

EXTENSION WING

10

For PCS saws **WITHOUT** the extension wing **ONLY**: Mount the switchbox assembly to the mounting bracket (E) by passing three hex head bolts (1.41) through three washers (1.40), then through the exposed holes in the mounting bracket and switchbox assembly, and securing the bolts with three lock nuts (1.43). Use an 8mm wrench to tighten the bolts.



Installing the Sliding Table Support Assembly

For installations **WITH OR WITHOUT** the extension wing.

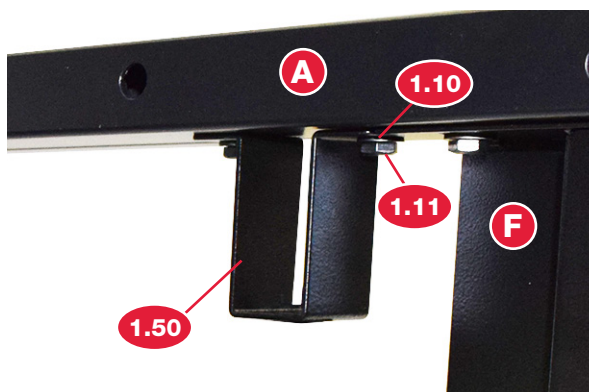
Requires: Hardware Bag 3 (p.5)
Hardware Bag 5 (p.6)

Drill
Two 13mm Wrenches

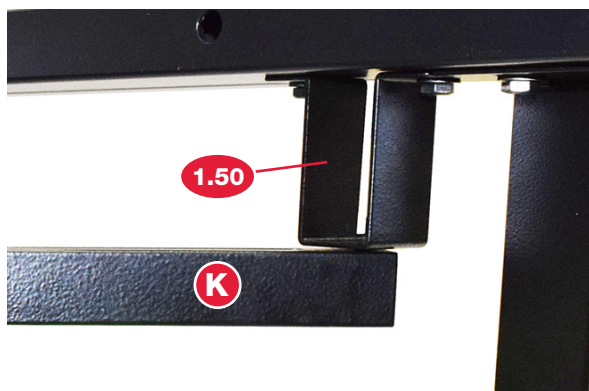
**WITH OR WITHOUT
EXTENSION WING**

Installation of the sliding table support assembly is recommended but optional. To install the sliding table support assembly, follow the procedure starting with step 1 below. If you do not wish to install the sliding table support assembly, skip this section and proceed to page 32.

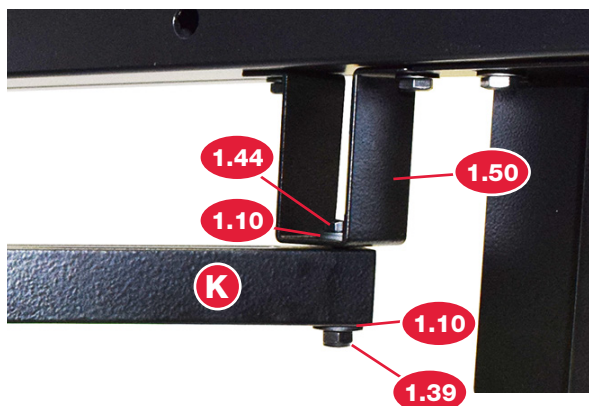
- 1 Mount the frame support bracket (1.50) to the remaining two threaded holes in the bottom of the inner guide tube (A), just in front of the support leg (F), using two hex head bolts (1.11) and two washers (1.10). Use a 13mm wrench to tighten the bolts.



- 2 Align the mounting holes in the outer tube of the support tube (K) with the mounting hole in the bottom surface of the frame support bracket (1.50). Make sure the lock nut on the outer tube is facing up.



- 3 With the mounting holes aligned, insert a hex head bolt (1.44) through a washer (1.10), then through the exposed holes in the frame support bracket (1.50) and support tube (K), and then through a second washer (1.10) and a lock nut (1.39). **Do not fully tighten the lock nut at this time.**

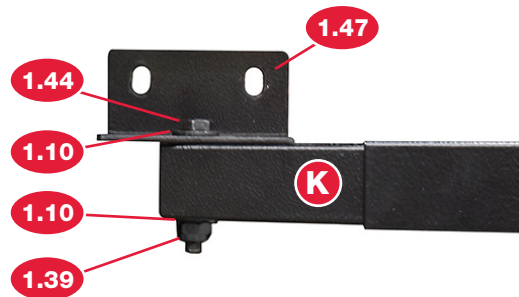


WITH OR WITHOUT
EXTENSION WING

- 4 Align the mounting holes in the end of the support tube (K) with the single mounting hole in the bottom surface of the cabinet mounting bracket (1.47).



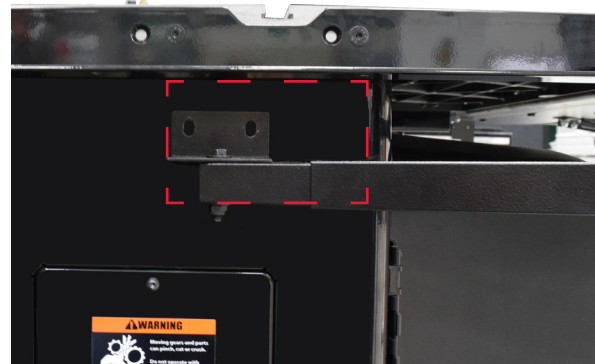
- 5 With the mounting holes aligned, insert a hex head bolt (1.44) through a washer (1.10), then through the exposed holes in the cabinet mounting bracket (1.47) and support tube (K), and then through a second washer (1.10) and a lock nut (1.39). **Do not fully tighten the lock nut at this time.**



- 6 Pivot the cabinet mounting bracket (1.47) toward the rear of the saw cabinet within the area shown. Use a level to make sure the support tube (K) is level.



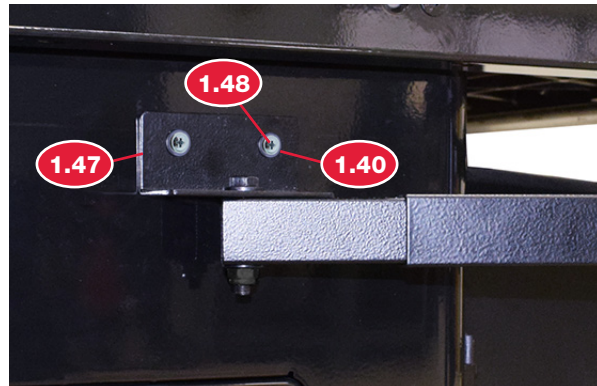
Position the mounting bracket only within the area shown: a 6.5" x 4.5" area under the rear rail in the upper-right corner of the saw cabinet. Ensure the support tube (K) is level before attaching the mounting bracket (1.47).



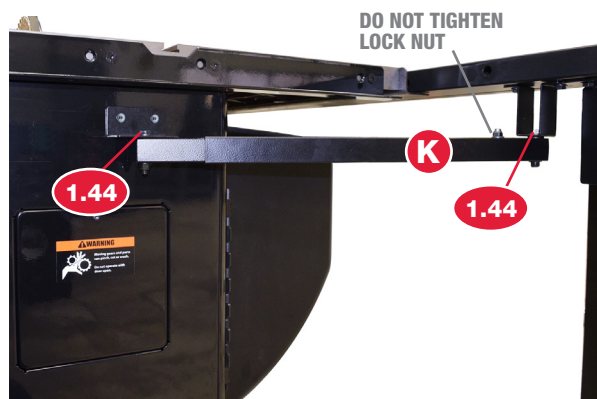
WITH OR WITHOUT

EXTENSION WING

- 7 Take two washers (1.40) and place them on the pan-head phillips self-tapping screws (1.48). Then drive the screws through the holes on the cabinet mounting bracket (1.47) and into the cabinet using a drill.



- 8 Use a 13mm wrench to tighten the two hex head bolts (1.44) in the support tube (K). Do not tighten the lock nut shown with the gray callout in the figure to the right at this time.



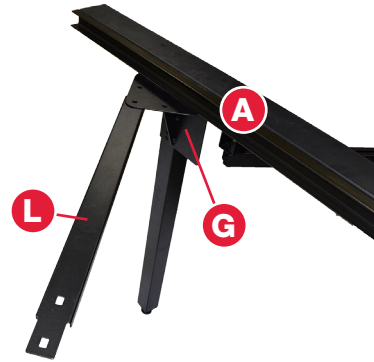
Installing the Lateral Frame Support Brackets

For installations **WITH OR WITHOUT** the extension wing.

Requires: Hardware Bag 3 (p.5)
13mm Wrench

**WITH OR WITHOUT
EXTENSION WING**

- 1 Position a lateral bracket (L) against the bottom of the leg bracket (G) attached to the inner guide tube (A). Align the square mounting holes in the lateral bracket (L) with the rear two square holes in the leg bracket (G), so the lateral bracket (L) extends towards the front of the table saw.



- 2 Insert a shoulder bolt (1.6) through one of the exposed mounting holes in the leg bracket (G) and lateral bracket (L), then through a washer (1.7) and a hex cap nut (1.8).

Repeat this procedure for the other exposed hole in the leg bracket and lateral bracket. Tighten the nuts using a 13mm wrench.



WITH

OR

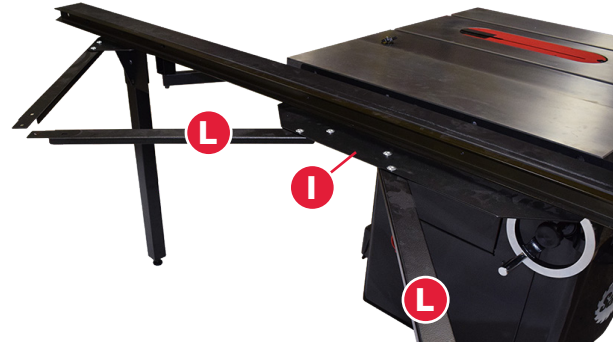
WITHOUT

EXTENSION WING

3

Position the remaining two lateral brackets (L) underneath the positioning plate (I). Align the square mounting holes in the lateral brackets (L) with the square holes in the positioning plate (I).

Repeat step 2 to secure each lateral bracket (L) in place.

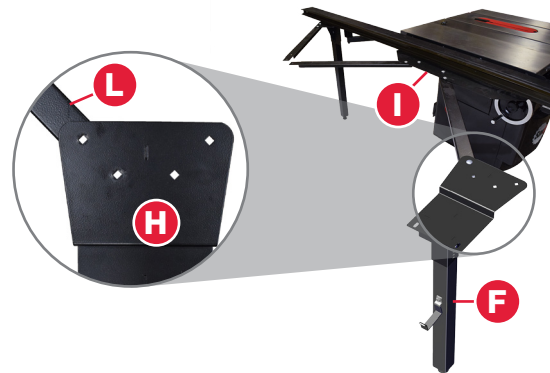


For installations **WITH OR WITHOUT** the extension wing.

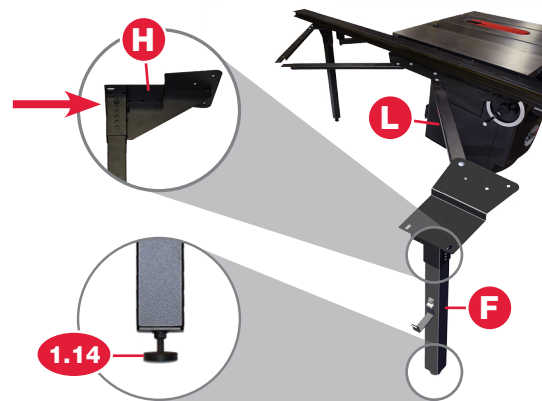
Requires: Hardware Bag 3 (p.5)
13mm Wrench
Level

**WITH OR WITHOUT
EXTENSION WING**

1 Position a stepped leg bracket (H) (attached to a support leg (F)) above the exposed mounting holes in the lateral bracket (L) attached closest to the front of the positioning plate (I).



2 Use the leveling foot (1.14) at the base of the support leg (F) to adjust the height of the support leg so the lateral bracket (L) is level when held flush against the bottom surface of the upper “step” of the stepped leg bracket (H). If necessary, change the holes used to mount the stepped leg mounting bracket (H) to the support leg (F).



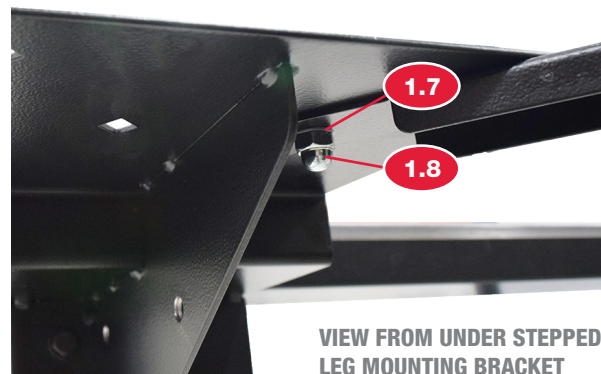
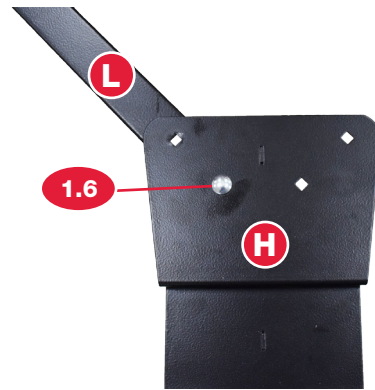
3 Align the square mounting holes in the lateral bracket (L) with the square holes in the stepped leg bracket (H), keeping the edge of the bracket generally parallel with the saw table.



WITH OR WITHOUT

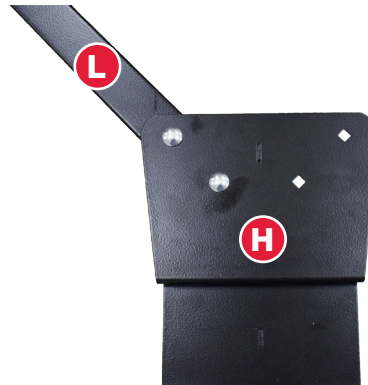
EXTENSION WING

- 4 With the mounting holes aligned, insert a shoulder bolt (1.6) through one of the exposed mounting holes in the stepped leg bracket (H) and lateral bracket (L), then through a washer (1.7) and hex cap nut (1.8).



VIEW FROM UNDER STEPPED LEG MOUNTING BRACKET

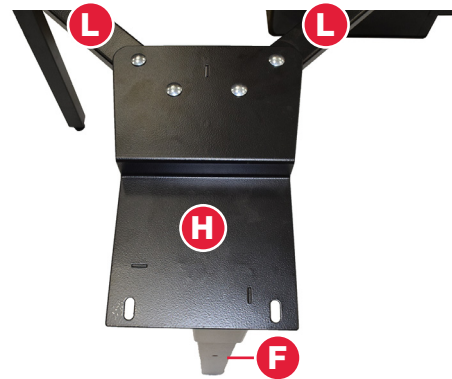
- 5 Repeat step 4.



WITH OR WITHOUT

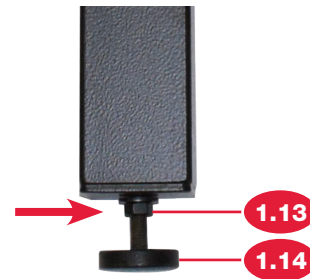
EXTENSION WING

- 6 Position the other stepped leg bracket (H) (attached to a support leg (F)) above the exposed mounting holes of the two remaining lateral brackets (L). Repeat steps 2-5 to secure the two lateral brackets (L) to the stepped leg bracket (H). Tighten all carriage bolts with a 13mm wrench.



The last support leg with the leg bracket will be installed after adjustments are made to the guide tubes.

- 7 Check that the lateral brackets (L) are still level, then use a 13mm wrench to tighten the hex nuts (1.13) on both leveling feet (1.14).



Installing the Outer Guide Tube

For installations **WITH OR WITHOUT** the extension wing.

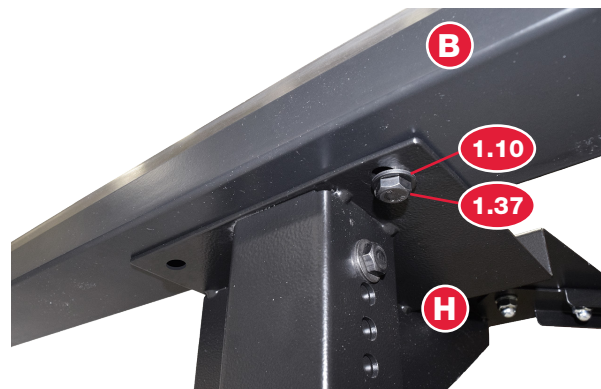
Requires: Hardware Bag 2 (Leftover hardware) (p.4)
13mm Wrench

**WITH OR WITHOUT
EXTENSION WING**

- 1 Position the outer guide tube (B) on the lower “step” of the stepped leg brackets (H), with the wider polished surface and small hole in each end of the outer guide tube facing in towards the saw.

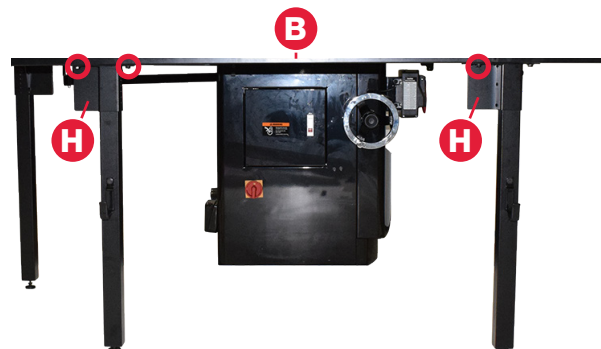


- 2 Align the mounting holes in the lower “steps” of the stepped leg brackets (H) with the threaded holes in the bottom of the outer guide tube (B).



With the mounting holes aligned, insert a hex head bolt (1.37) through a washer (1.10) (both leftover from Hardware bag 2), through one of the exposed mounting holes in one of the stepped leg brackets (H), and then into the threaded hole in the bottom of the outer guide tube (B).

- 3 Repeat step 2 for the other exposed hole in the stepped leg bracket (H) and outer guide tube (B). Move to the other stepped leg bracket and repeat the process. Tighten the bolts using a 13mm wrench.



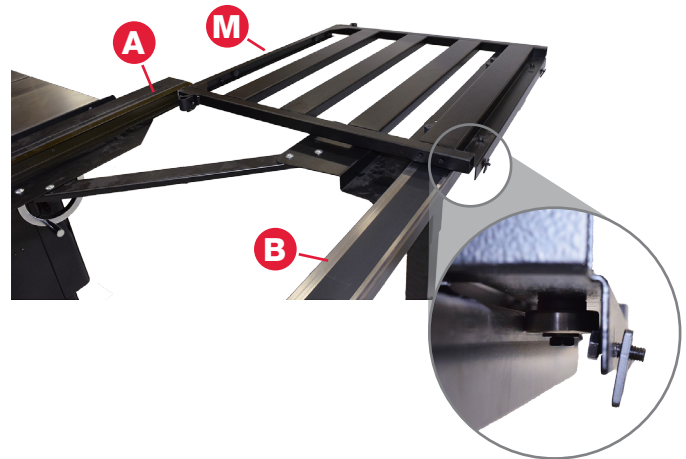
Installing the Sliding Table and Sliding Table Stops

For installations **WITH OR WITHOUT** the extension wing.

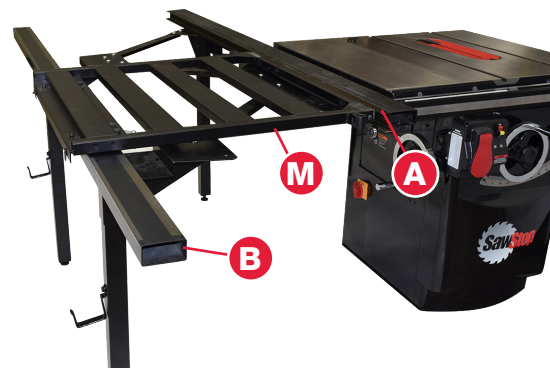
Requires: Hardware Bag 4 (p.5)
Phillips Head Screwdriver

**WITH OR WITHOUT
EXTENSION WING**

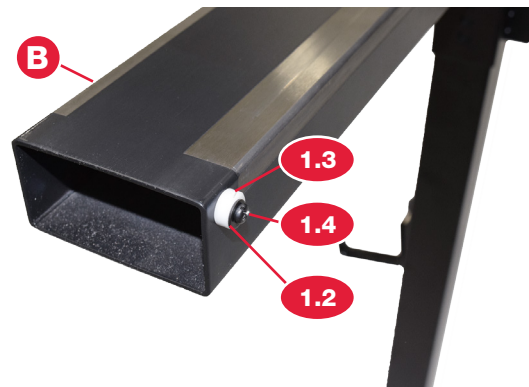
- 1 Position the sliding table (M) so the bearings on the left side (from the perspective in the figure shown) align with the bearing guide channel on the inner guide tube (A) and the bearings on the right side (from the perspective in the figure shown) sit against the inside and outside edges of the outer guide tube (B).



- 2 Slide the sliding table (M) onto the outer guide tube (B) and inner guide tube (A).



- 3 Insert a button head phillips screw (1.4) through a washer (1.3) and a spacer (1.2), then into one of the two holes on the inside edge of the outer guide tube (B). Secure the screw using a phillips head screwdriver. Repeat this process for the hole on the other end of the outer guide tube (B).



Adjusting the Sliding Table

For installations **WITH OR WITHOUT** the extension wing.

Requires: 10mm Wrench
3/4" Socket Wrench

**WITH OR WITHOUT
EXTENSION WING**

Adjusting the Ball Bearings

1 Slide the sliding table (M) towards the front of the guide tubes. Use a 10mm wrench to slightly loosen the hex head bolt securing the ball bearing at the front, left side of the underside of the sliding table.



2 Use a 3/4" socket wrench or combination wrench to turn the eccentric nut to pre-load the ball bearing until the ball bearing contacts and pushes lightly against the inside edge of the outer guide tube (B).



DO NOT OVERLOAD THE BEARINGS. OVERLOADING WILL CAUSE WARPING AND PREVENT THE SLIDING TABLE FROM MOVING SMOOTHLY.

- 3 To check the tension on the ball bearing, pinch it against the rail using your fingers, and slide the table back and forth.

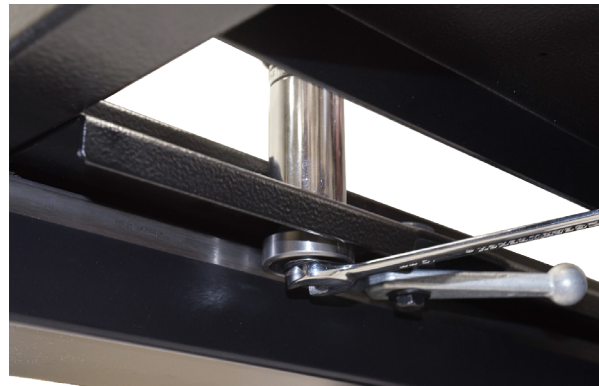
If very light pressure prevents the ball bearing from spinning, it is too loose and needs to be tightened.

If moderate pressure prevents the ball bearing from spinning as the sliding table is moved, it is at the correct tension.

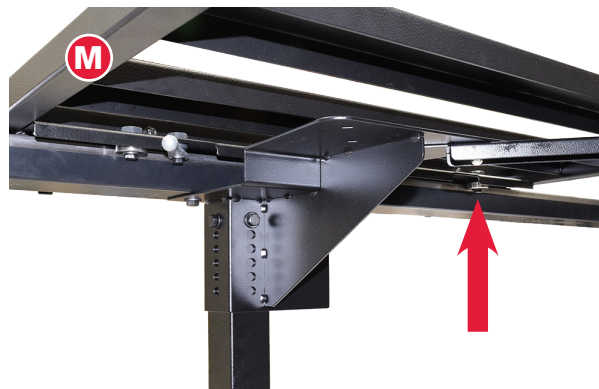
If a lot of pressure is required, or it is not possible to stop the ball bearing from spinning, it is too tight and needs to be loosened.



- 4 Once the tension on the ball bearing is correct, use a 3/4" socket wrench or combination wrench to hold the eccentric nut still, and use a 10mm wrench to tighten the hex head bolt holding the ball bearing in place.

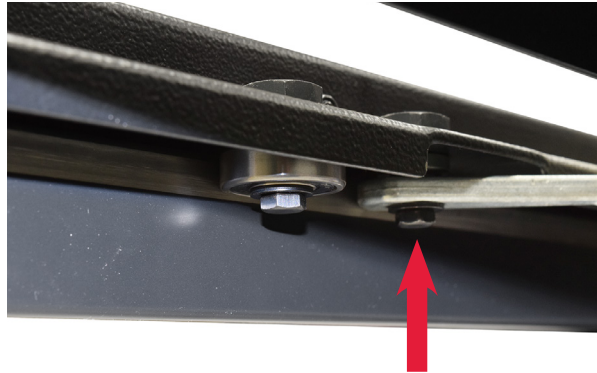


- 5 Slide the sliding table (M) towards the rear of the guide tubes. Repeat steps 2-4 for the ball bearing at the rear, left side of the sliding table.



Adjusting the Table Lock Handle

- 1 Slide the sliding table towards the front of the guide tubes. Use a 10mm wrench to slightly loosen the hex head bolt securing the table lock handle near the front, left side of the sliding table.



- 2 Use a 3/4" socket wrench or combination wrench to turn the eccentric nut until the table lock handle allows the table to move freely in the unlocked position, allows the table to move with resistance in the semi-locked position, and prevents movement of the table in the locked position.



DO NOT OVER-TIGHTEN THE TABLE LOCK HANDLE AGAINST THE OUTER GUIDE TUBE.

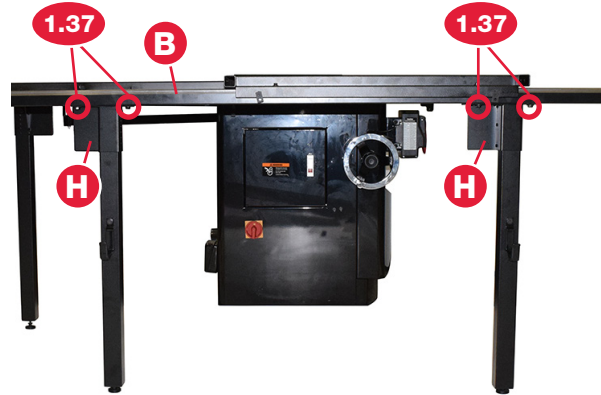
- 3 Use a 3/4" socket wrench or combination wrench to hold the eccentric nut still, and use a 10mm wrench to tighten the hex head bolt holding the table lock handle.



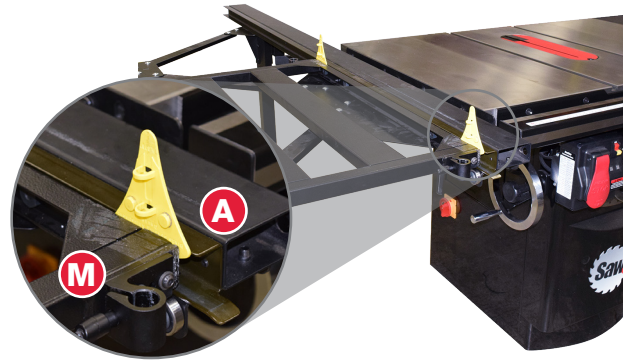
Adjusting the Spacing

There should be about 1/8"-3/16" of clearance between the sliding table and the inner guide tube bearing channel. If there is, then skip this step. If there is not, you will need to adjust the spacing, so proceed to step 1 below.

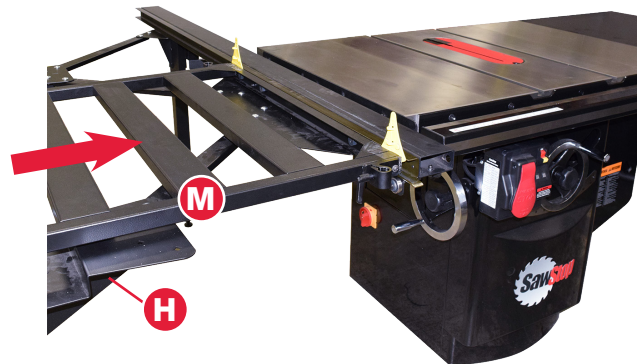
- 1 Use a 13mm wrench to loosen the four hex head bolts (1.37) attaching the outer guide tube (B) to the two stepped leg brackets (H).



- 2 Place a firm piece of material (i.e. plywood or the wider end of a blade spacing adjustment gauge) with 1/8"-3/16" thickness at each end of the sliding table, between the edge of the sliding table (M) and the inner guide tube bearing channel (A).



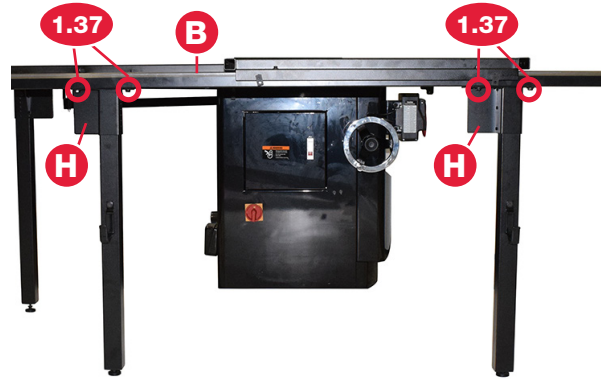
- 3 Push against the outer edge of the table (M) until it presses against the material from step 2. This will also cause the rail and bolts to move relative to the slotted holes in the stepped leg mounting brackets (h).



WITH OR WITHOUT

EXTENSION WING

- 4 Use a 13mm wrench to re-tighten the four hex head bolts (1.37) attaching the outer guide tube (B) to the stepped leg brackets (H).



- 5 Remove the material from step 2. Recheck the spacing between the sliding table (M) and the inner guide tube bearing channel (A) and make any further adjustments as necessary.



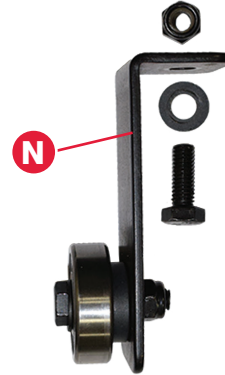
Installing the Guide Bearing Assembly

For installations **WITH OR WITHOUT** the extension wing.

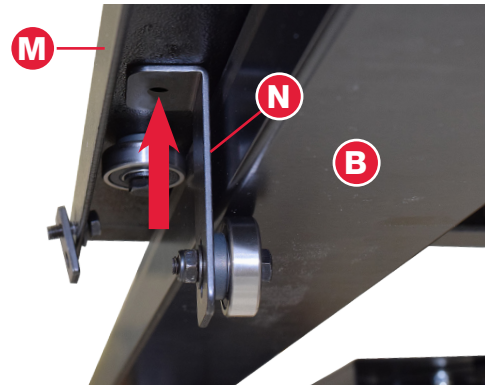
Requires: Hardware Bag 4 (p.5) 10mm Socket Wrench
10mm Wrench

WITH OR WITHOUT
EXTENSION WING

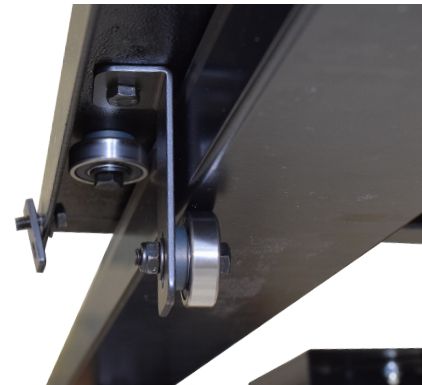
- 1 Remove the hex head bolt, washer, and lock nut that are pre-installed on the “L” shaped bracket part of the guide bearing assembly (N).



- 2 Align the mounting hole in the bent section of the guide bearing assembly (N) with one of the slotted mounting holes in the horizontal outer edge of the sliding table (M), so the ball bearing extends under the outer guide tube (B).



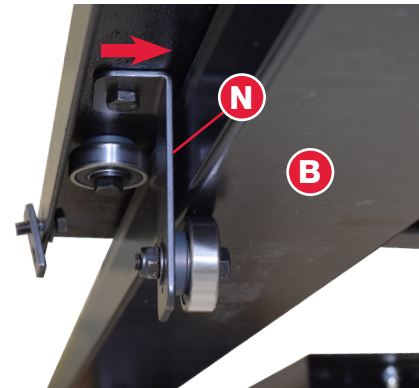
- 3 With the mounting holes aligned, insert the hex head bolt up through the exposed holes in the guide bearing assembly and sliding table.



- 4 Place the washer on the shaft of the bolt and secure it loosely in place with the lock nut.



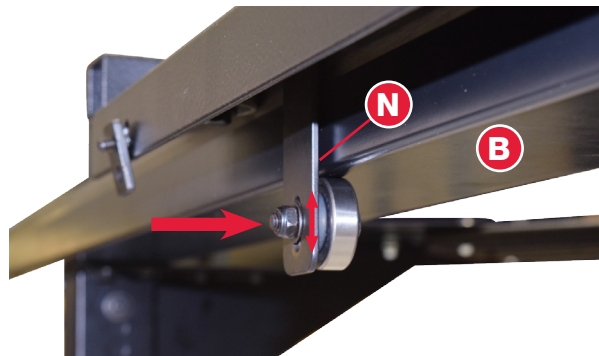
- 5 Slide the guide bearing assembly (N) towards the outer guide tube (B) until the bearing sits under the outer guide tube, but the bracket portion of the guide bearing assembly does not press against the outer guide tube.



- 6 Use a 10mm wrench or socket wrench to tighten the lock nut on the hex head bolt.



- 7 Use a 10mm wrench to loosen the lock nut securing the ball bearing in the guide bearing assembly (N) and slide the bearing up or down in the slotted hole in the bracket until the ball bearing just contacts the underside of the outer guide tube (B). Then re-tighten the lock nut.



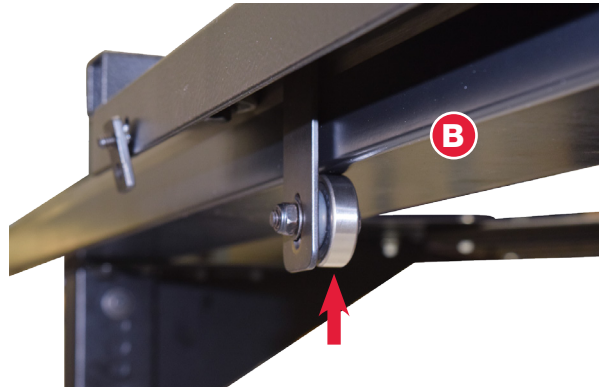
8 To check the tension on the ball bearing, pinch it against the outer guide tube (B) using your fingers, and slide the table back and forth.

If very light pressure prevents the ball bearing from spinning, it is too loose and needs to be tightened.

If moderate pressure prevents the ball bearing from spinning as the sliding table is moved, it is at the correct tension.

If a lot of pressure is required, or it is not possible to stop the ball bearing from spinning, it is too tight and needs to be loosened.

9 Repeat steps 1-7 for the other guide bearing assembly (N) and mounting hole in the sliding table.



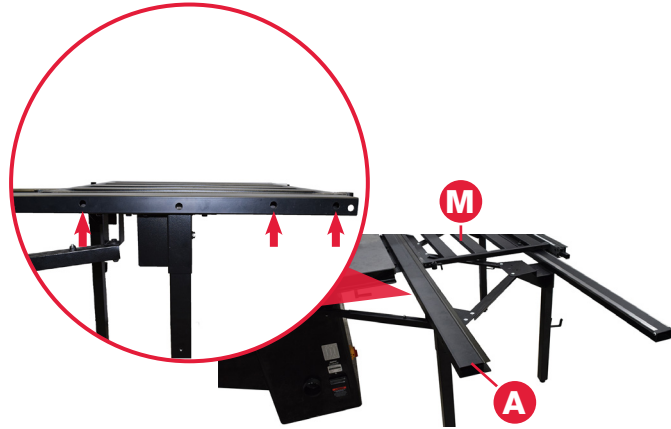
Setting the Bearing Tension

For installations **WITH OR WITHOUT** the extension wing.

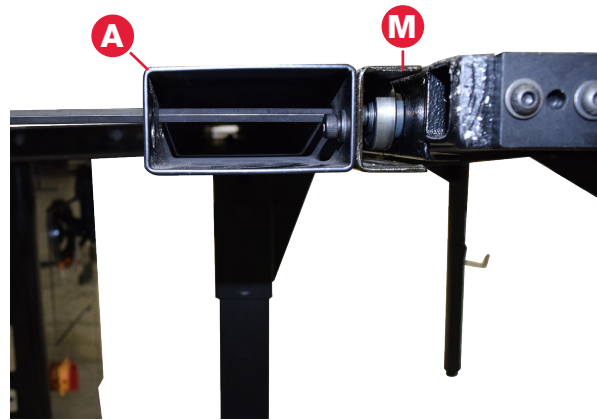
Requires: 5mm Hex Wrench
10mm Wrench
3/4" Socket

**WITH OR WITHOUT
EXTENSION WING**

- 1 Slide the sliding table (M) toward the rear of the guide tubes, until the access holes in the bearing guide channel and inner guide tube (A) line up with the three socket head cap screws in the sliding table.



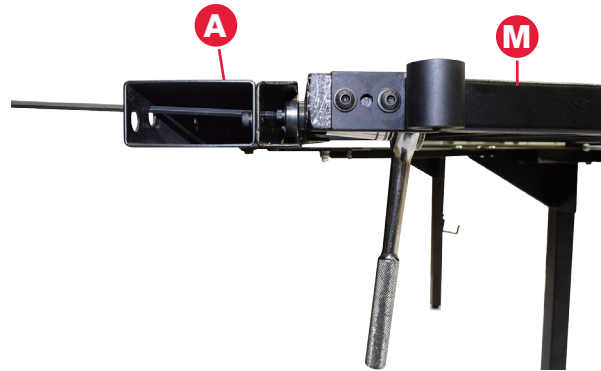
- 2 Use a 5mm hex wrench to slightly loosen the three socket head cap screws securing the three adjustable ball bearings on the side of the sliding table (M) closest to the table saw, using the access holes in the inner guide tube and guide bearing channel (A).



i

There are five bearings on the side of the sliding table closest to the saw table. The bearing closest to the front of the saw is not adjustable. The second bearing is adjustable to prevent vertical movement of the front of the sliding table. The third bearing is adjustable to prevent the sliding table from “jumping” at the front and back of the guide tubes. The fourth bearing is not adjustable. The fifth, and furthest back, bearing is adjustable to prevent vertical movement of the rear of the sliding table. (See the exploded view on page 94 for reference). The two non-adjustable bearings are each partially covered by a guide channel scraper.

- 3 Use a 3/4" socket wrench to turn the eccentric nuts on the inside edge of the sliding table (M) to preload the ball bearings until they contact the top of the bearing guide channel (A).



DO NOT OVERLOAD THE BEARINGS. OVERLOADING WILL CAUSE WARPING AND PREVENT THE SLIDING TABLE FROM MOVING SMOOTHLY.

- 4 Check the tension on the bearings. To check the front bearing, try to lift up and then push down on the front of the sliding table (M). If the table has vertical play, adjust the front bearing to eliminate the vertical play.



Check the rear bearing by lifting up and then pushing down on the rear of the sliding table.

To check the tension on the middle bearing, slide the sliding table far enough forward that the front bearing exits the inner guide tube bearing channel and then far enough backward that the rear bearing exits the inner guide tube bearing channel. If the sliding table “jumps” or does not travel smoothly when the front or rear bearings exit or enter the bearing guide channel, adjust the tension on the middle bearing.



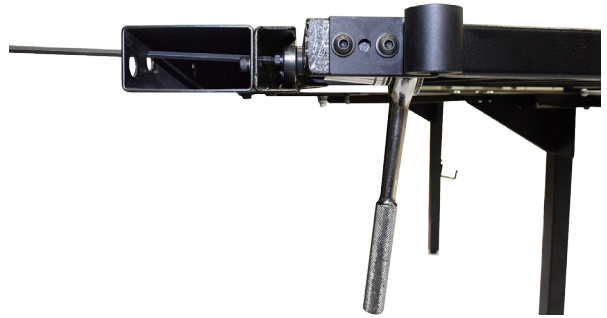
WITH

OR

WITHOUT

EXTENSION WING

- 5 After checking each bearing, use a 3/4" socket wrench to hold the corresponding eccentric nut still while using a 5mm hex wrench to re-tighten the socket head cap screw loosened previously.



- 6 Re-check the tension on the three bearings and make any necessary adjustments.



- 7 Use a 10mm wrench to loosen the lock nut securing the ball bearing supported by the front bracket (J) and slide the bearing up or down in the slotted hole in the bracket until the bearing contacts the underside of the sliding table (M).



WITH

OR

WITHOUT

EXTENSION WING

8

To check the tension on the bearing, pinch it against the rail using your fingers, and slide the table back and forth.

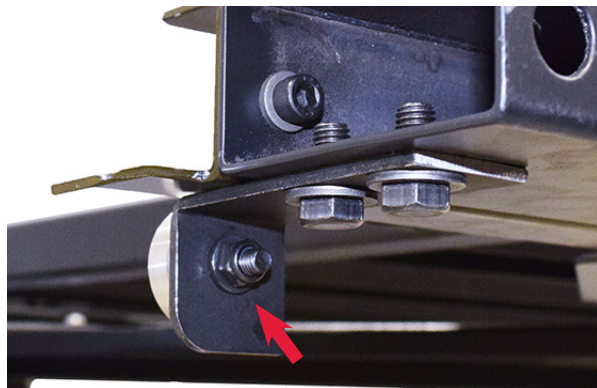
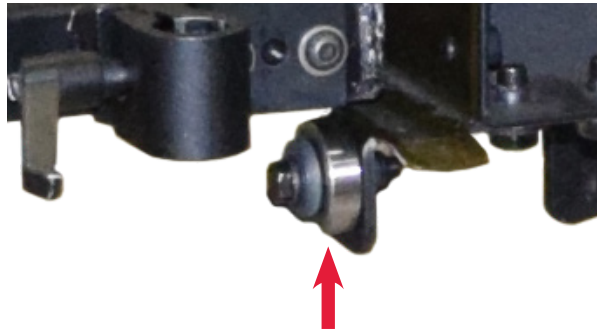
If very light pressure prevents the bearing from spinning, it is too loose and needs to be tightened.

If moderate pressure prevents the bearing from spinning as the sliding table is moved, it is at the correct tension.

If a lot of pressure is required, or it is not possible to stop the bearing from spinning, it is too tight and needs to be loosened.

9

Use a 10mm wrench to re-tighten the lock nut.



Installing the Miter Angle Guide Rail

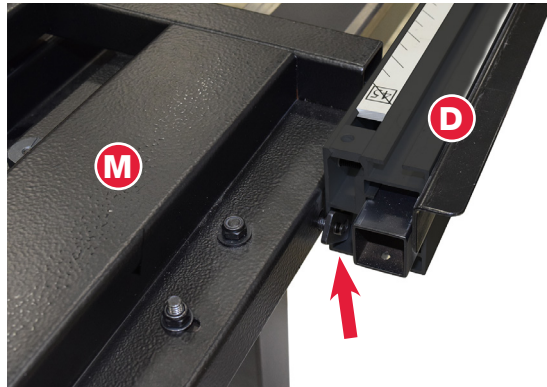
For installations **WITH OR WITHOUT** the extension wing.

Requires: Hardware Bag 4 (p.5)
10mm Wrench
Straight Edge or Square

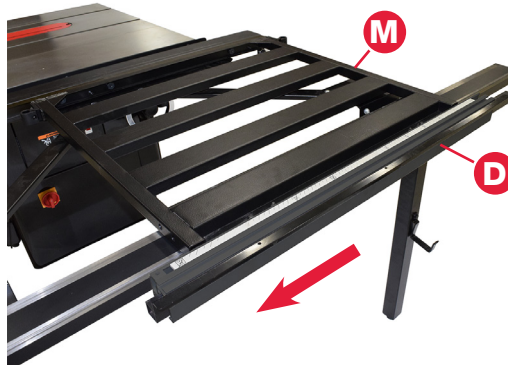
Hardware Bag 5 (p.6)

**WITH OR WITHOUT
EXTENSION WING**

- 1 Position the angle guide rail (D) next to the front of the left side of the sliding table (M), with the miter angle ruler on top and the miter detent pin positioning bracket facing out, so the T-slot in the side of the angle guide rail aligns with the two T-nuts on the exterior, vertical edge of the sliding table.

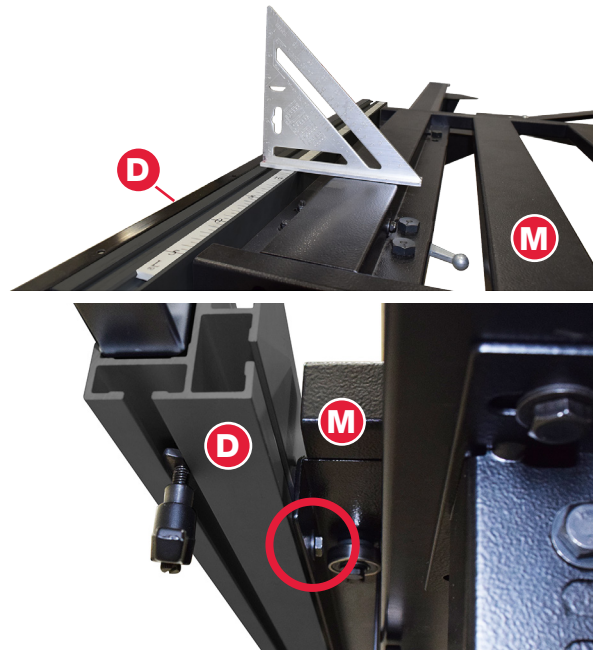


- 2 Slide the T-slot in the angle guide rail (D) onto the two T-nuts until it is generally centered on the sliding table (M). Only finger tighten the bolts at this time.



WITH OR WITHOUT
EXTENSION WING

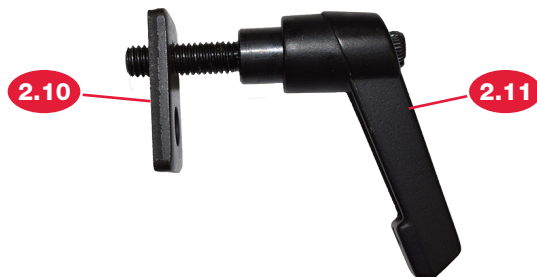
- 3 Lay a straight edge or square across the sliding table top (M) so that it extends over the top of one end of the angle guide rail (D). Make sure the angle guide rail is level with the sliding table top, then use a 10mm wrench to snug the exposed hex head bolt on the inside edge of the left side of the sliding table.



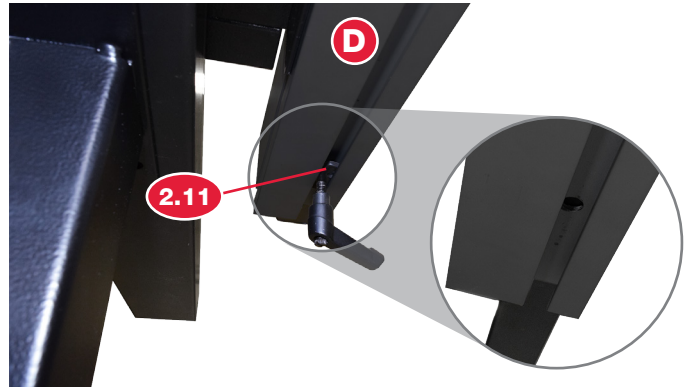
- 4 Repeat step 3 at the other end of the angle guide rail (D), so the whole rail is flush with the top surface of the sliding table. Re-check both ends of the angle guide rail (front and back) to make sure they are still correct. Then tighten the two bolts.



- 5 Thread a lock handle (2.11) into the smaller, threaded hole in a T-nut (2.10).

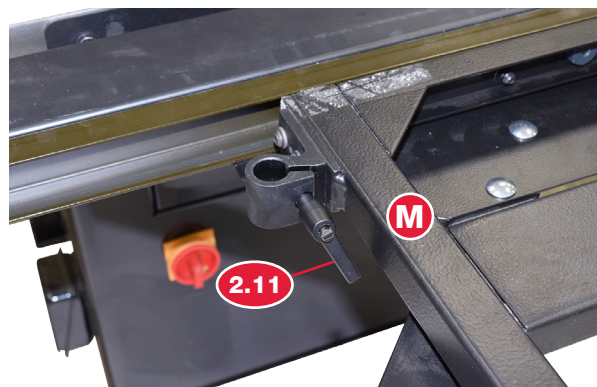
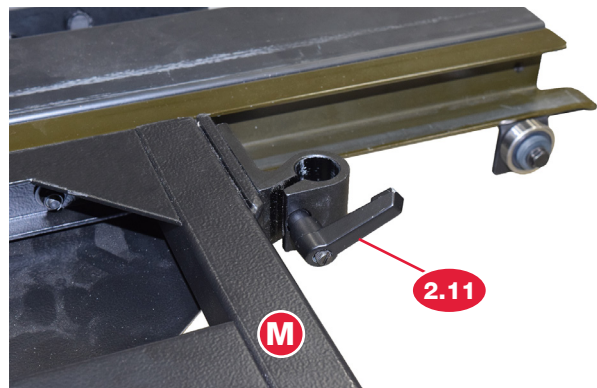


- 6 Slide the T-nut (2.10) into the front end of the T-slot in the bottom of the angle guide rail (D). Slide the lock handle and T-nut along the angle guide rail to the threaded hole in the rail and thread the lock handle into the hole. This lock handle secures the table position handle.



DO NOT OVER-TIGHTEN THE LOCK HANDLE. SECURING THE TABLE POSITION HANDLE DOES NOT REQUIRE MUCH CLAMPING FORCE, AND OVER-TIGHTENING THE LOCK HANDLE CAN LEAD TO WARPING OR SCRATCHING.

- 7 Thread the remaining two lock handles (2.11) into the fence miter pivot plates on the front and rear of the sliding table (M). Use the ratchet capabilities of the lock handles to make sure the handles are generally horizontal so they do not interfere with the travel of the sliding table.



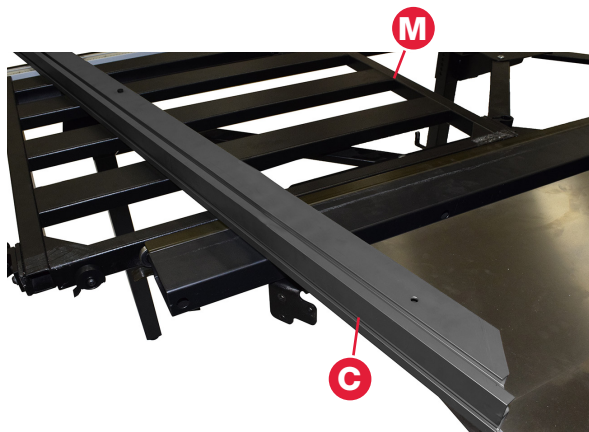
Installing the Crosscut Fence Assembly

For installations **WITH OR WITHOUT** the extension wing.

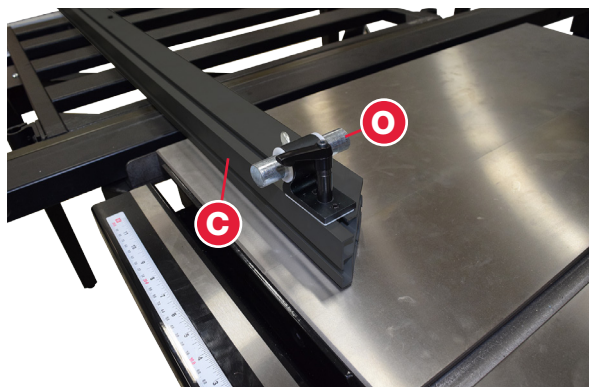
Requires: Hardware Bag 4 (p.5)
4mm Hex Wrench

WITH OR WITHOUT
EXTENSION WING

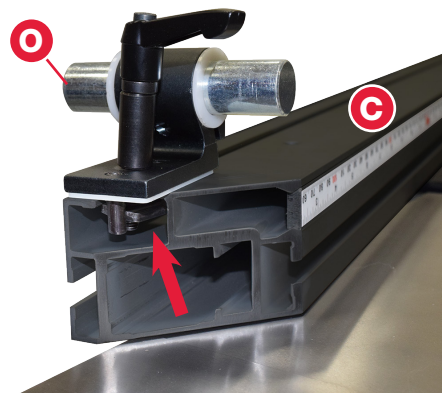
- 1 Position the crosscut fence (C) near the front of the sliding table (M), with the beveled end on the right (near the table saw), the smooth face resting on the sliding table, and the crosscut fence ruler facing the rear of the saw.



- 2 Position the fence pivot assembly (O) next to the beveled end of the crosscut fence (C) (the right end), with the lock handle on the right.



- 3 Align the T-nut in the fence pivot assembly (O) with the right end of the T-slot on the face with two holes. If necessary, loosen the T-nut to provide clearance for the walls of the crosscut fence.



WITH

OR

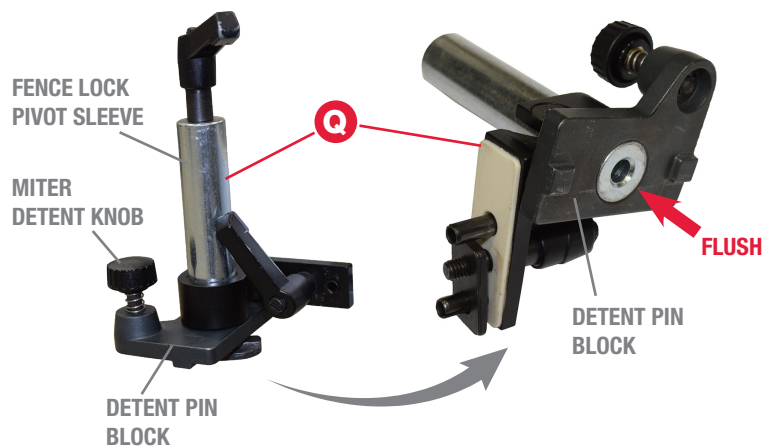
WITHOUT

EXTENSION WING

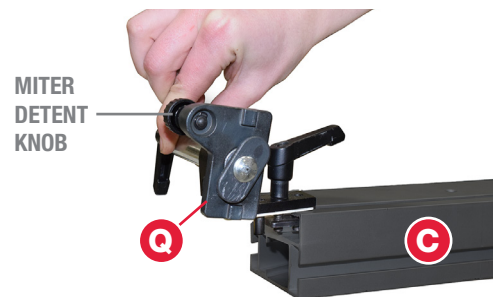
- 4 Slide the T-nut about 12" into the T-slot. Use the lock handle in the fence pivot assembly (O) to lock the fence pivot assembly in place.



- 5 Check to make sure that the base of the fence lock pivot sleeve in the fence lock assembly (Q) is flush with the bottom surface of the detent pin block. If necessary, use a 4mm hex wrench to loosen the flat head socket screw in the fence positioning clamp and slide the fence lock pivot sleeve up or down until it is flush with the bottom of the detent pin block. Then re-tighten the screw.

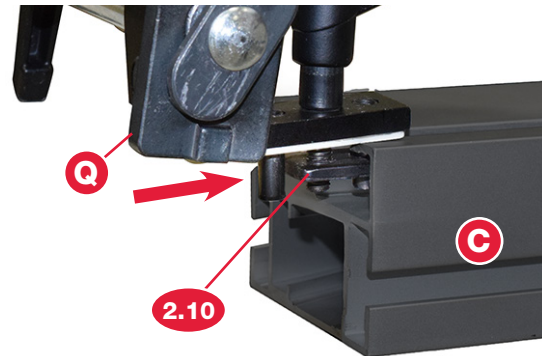


- 6 Position the fence lock assembly (Q) next to the straight end of the crosscut fence (C) (the left end), with the miter detent knob in the position shown.



EXTENSION WING

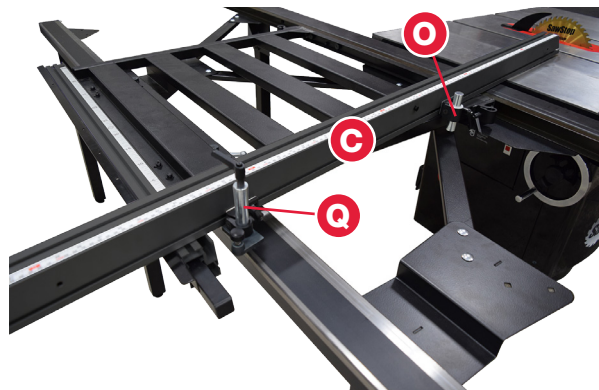
- 7 Align the rectangular T-nut (2.10) in the fence lock assembly (Q) with the left end of the T-slot. If necessary, loosen the T-nut to provide clearance for the walls of the crosscut fence (C).



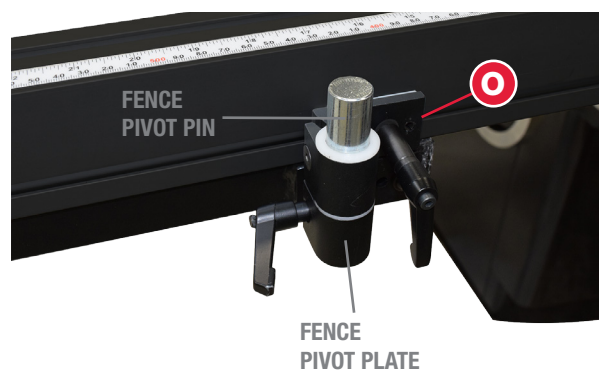
- 8 Slide the T-nut about 18" into the T-slot. Do not tighten the miter lock handle or the lock handle in the fence lock assembly (Q) at this time.



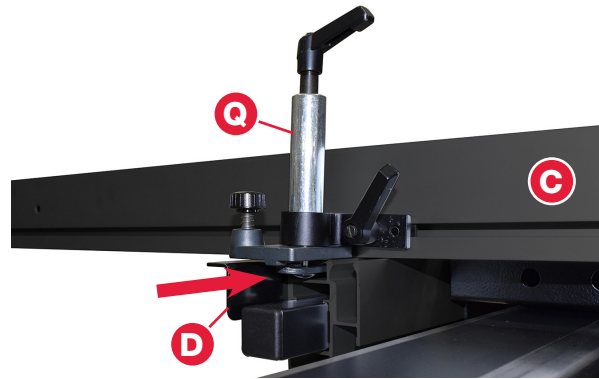
- 9 Roll the crosscut fence (C) forward, so the crosscut fence ruler faces up and the fence pivot assembly (O) and fence lock assembly (Q) are on the side of the crosscut fence closest to the front of the table saw.



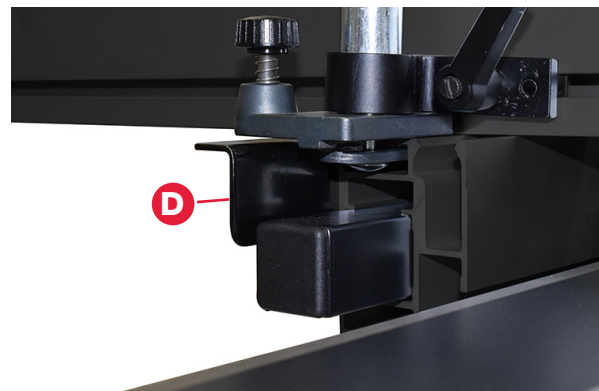
- 10 Slide the bottom of the fence pivot pin into the fence pivot plate at the front of the sliding table. Use the lock handle in the fence pivot plate to secure the fence pivot assembly (O).



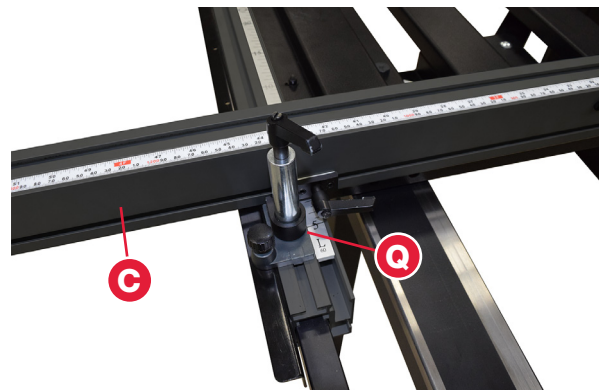
- 11** Pivot the left end of the crosscut fence (C) until it is just past the front edge of the angle guide rail (D) and slide the fence lock assembly (Q) along the crosscut fence until the rounded T-nut aligns with the T-slot in the top of the angle guide rail.



- 12** Slide the rounded T-nut into the T-slot in the top of the angle guide rail (D). Ensure the rounded T-nut has the smooth side facing down.



- 13** Pivot the left end of the crosscut fence (C) and the fence lock assembly (Q) until the crosscut fence is perpendicular to the blade, then tighten the miter lock handle and lock handle in the fence lock assembly. Your crosscut fence is now installed in the traditional configuration.

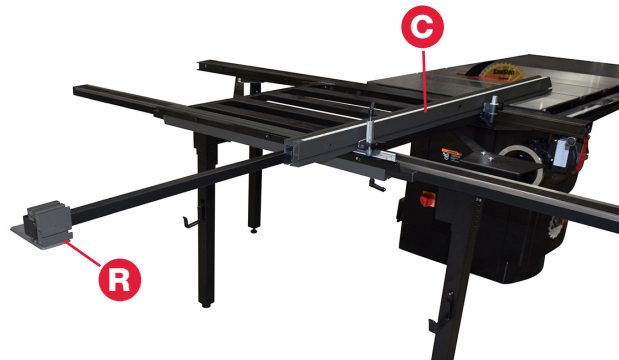


EXTENSION WING

- 14 Slide the crosscut fence extension (R) all the way onto the crosscut fence extension tube, with the flat face of the crosscut fence extension facing the same direction as the tab on the end of the crosscut fence extension tube.



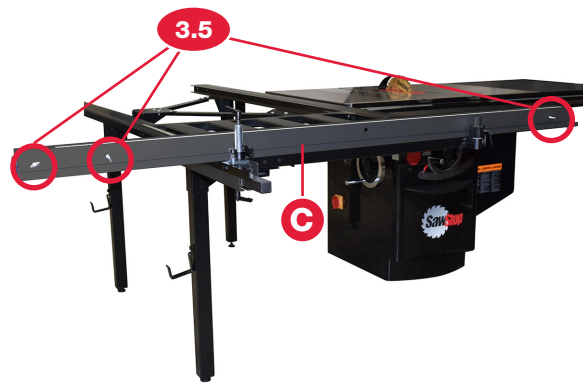
- 15 Position the crosscut fence extension (R) and crosscut fence extension tube at the far left side of the crosscut fence (C) (away from the table saw), so the flat face of the crosscut fence extension lines up with the flat face of the crosscut fence.



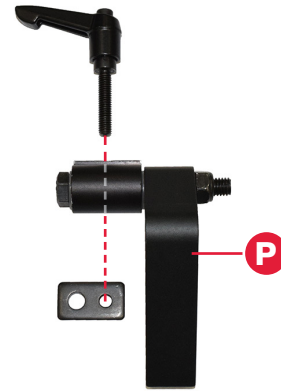
- 16 Slide the hollow end of the crosscut fence extension tube all the way into the left end of the crosscut fence (C), until the edge of the crosscut fence extension is flush with the crosscut fence.



- 17 Thread a thumb screw (3.5) into each of the two threaded holes on the face of the crosscut fence (C) adjacent the crosscut fence ruler and into the hole in the crosscut fence extension, until they contact the crosscut fence extension tube and secure it in place. Do not over-tighten the thumb screws.



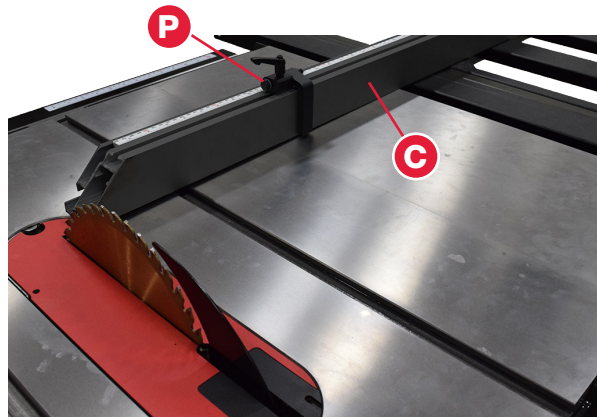
- 18 Ensure the flip stop (P) is assembled correctly as shown.



- 19 Align the T-nut with the T-slot in the top of the crosscut fence (C), adjacent the ruler, with the flip stop resting on the smooth face of the fence.



- 20 Slide the T-nut into the T-slot in the top of the crosscut fence (C). Tighten the lock handle to secure the flip stop (P) in place on the crosscut fence.



WITH OR WITHOUT
EXTENSION WING

Euro Configuration

In order to install your crosscut fence assembly in the Euro configuration, you will need to switch the locations of your crosscut fence miter lock assembly and crosscut fence miter pivot assembly. You will also need to install the crosscut fence extension on the other side of the crosscut fence.

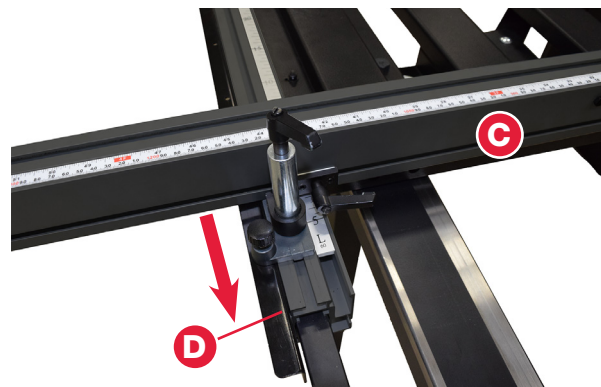
- 1 Remove the crosscut fence extension (R) and crosscut fence extension tube, if installed in the crosscut fence (C), and set them aside.



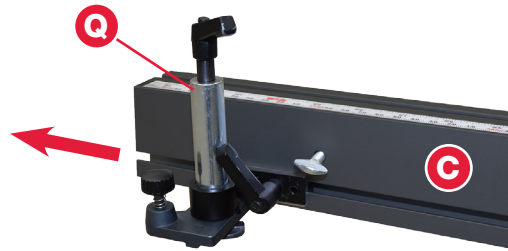
- 2 Loosen the lock handle in the fence miter pivot plate, the lock handle in the fence pivot assembly (O), and the lock handle and miter lock handle in the fence lock assembly (Q).



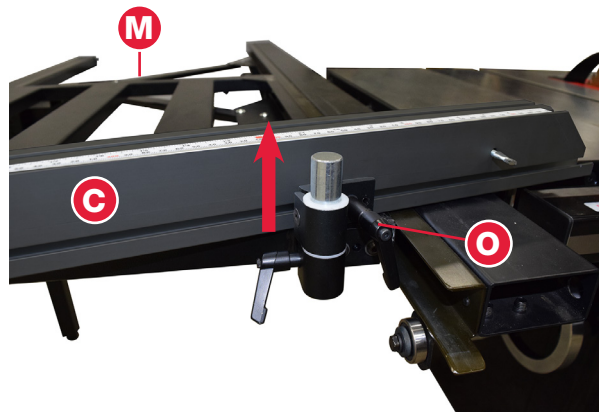
- 3 Pivot the left end of the crosscut fence (C) forward until the rounded T-nut slides out of the T-slot in the top of the angle guide rail (D).



- 4 Slide the fence lock assembly (Q) out of the left side of the T-slot in the crosscut fence (C). Set it aside.



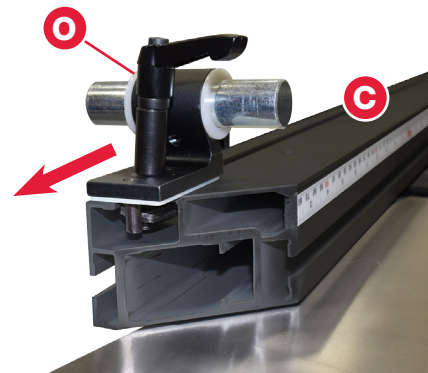
- 5 Lift the crosscut fence (C) up, so the fence miter pivot pin in the fence pivot assembly (O) comes out of the fence miter pivot plate on the sliding table (M).



- 6 Set the crosscut fence (C) down on the smooth face, with the beveled end near the table saw and the crosscut fence ruler facing the rear of the saw.



- 7 Slide the fence pivot assembly (O) out of the right side of the T-slot in the crosscut fence (C).



WITH

OR

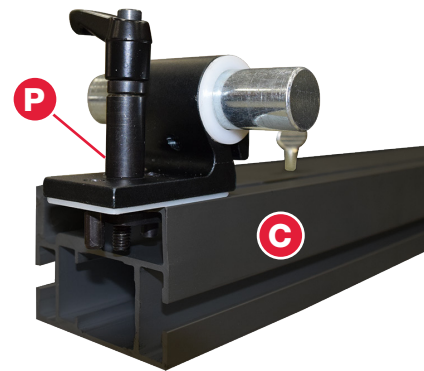
WITHOUT

EXTENSION WING

- 8 Position the fence pivot assembly (O) next to the straight end of the crosscut fence (C) (the left end), with the lock handle on the left.



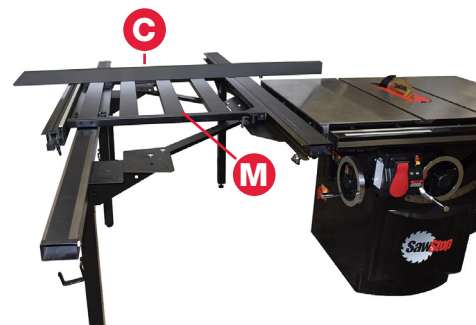
- 9 Align the T-nut in the fence pivot assembly (O) with the left end of the T-slot. If necessary, loosen the T-nut to provide clearance for the walls of the crosscut fence (C).



- 10 Slide the T-nut about 12" into the T-slot. Use the lock handle to lock the fence pivot assembly (O) in place.



- 11 Position the crosscut fence (C) at the rear of the sliding table (M), with the smooth face of the crosscut fence facing towards the front of the saw, and the beveled end of the crosscut fence extending away from the table saw.



WITH

OR

WITHOUT

EXTENSION WING

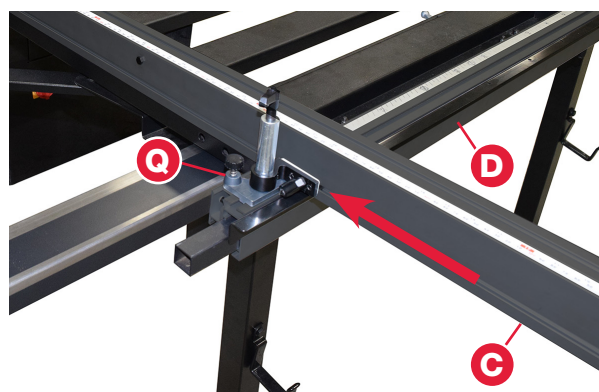
- 12 Slide the bottom of the fence miter pivot pin in the fence pivot assembly (O) into the fence miter pivot plate at the rear of the sliding table (M).



- 13 Pivot the beveled end of the crosscut fence (C) until it is adjacent the rear edge of the angle guide rail (D).



- 14 Slide the fence lock assembly (Q) along the crosscut fence (C) until the rounded T-nut aligns with the T-slot in the top of the angle guide rail (D).



- 15 Slide the rounded T-nut into the T-slot in the top of the angle guide rail (D).



WITH OR WITHOUT

EXTENSION WING

- 16 Pivot the beveled end of the crosscut fence (C) (and the fence lock assembly (Q)) until the crosscut fence is perpendicular to the blade, then tighten the miter lock handle and lock handle in the fence lock assembly.



Your crosscut fence is now installed in the Euro configuration.

Storage

In order to store your crosscut fence assembly, follow steps 1-3 and step 5 of the Euro Configuration instructions to remove the crosscut fence assembly from the sliding table, and set it in the crosscut fence storage brackets attached to the support legs shown below.



Installing the Logo Plate

For installations **WITH OR WITHOUT** the extension wing.

Requires: Hardware Bag 3 (p.5)
13mm Hex Wrench

**WITH OR WITHOUT
EXTENSION WING**

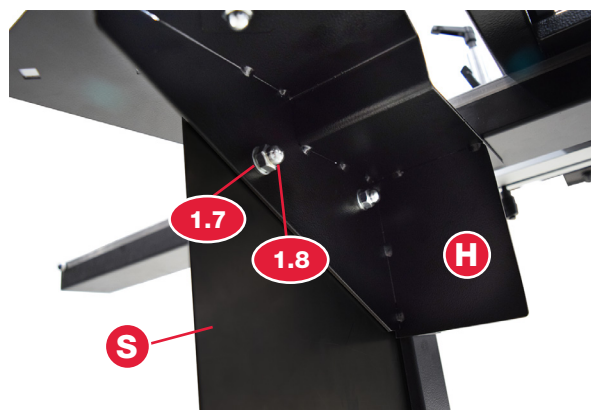
- 1 Position the logo plate (S) on the stepped leg bracket (H) attached to the front-left support leg (F) and align the two mounting holes in the logo plate (S) with the two holes in the stepped leg mounting bracket (H).



- 2 Insert a shoulder bolt (1.6) through each of the holes of the logo plate (S), then through each of the holes in the stepped leg mounting bracket (H), followed by a washer (1.7) and a hex cap nut (1.8).



- 3 Tighten the nuts using a 13mm wrench.



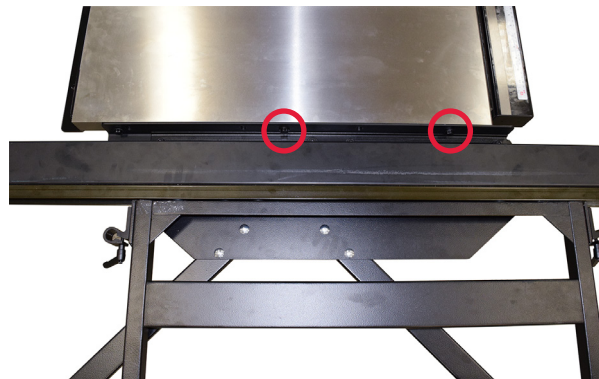
Leveling

For installations **WITH OR WITHOUT** the extension wing.

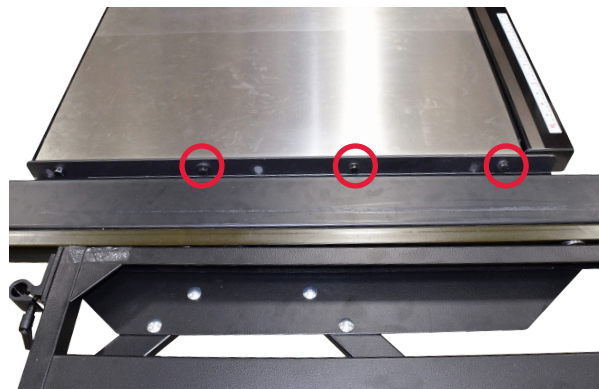
Requires: 13mm Wrench
Straight Edge at least 30" in Length

**WITH OR WITHOUT
EXTENSION WING**

- 1 For ICS only:** Use a 13mm wrench to slightly loosen the front two hex head bolts attaching the mounting bracket to the extension wing or saw table.



- For PCS only:** Use a 13mm wrench to slightly loosen the front three hex head bolts attaching the mounting bracket to the extension wing or saw table.



- 2** Lay a straight edge across the front of the sliding table top so that it extends over the top of the table saw near the front of the mounting bracket.



WITH OR WITHOUT
EXTENSION WING

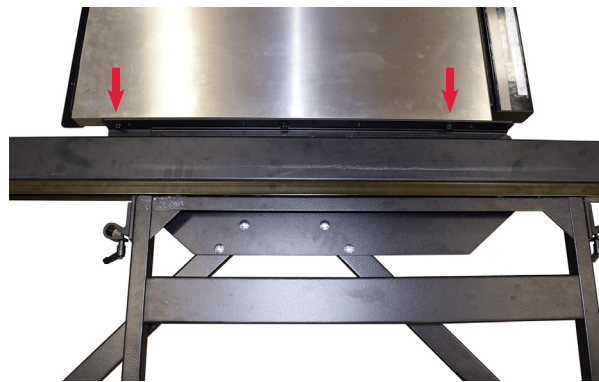
i

Step 3 requires two people.

- 3 Make sure the sliding table top is parallel to the top of the saw table (and extension wing, if installed) and then adjust the foot pads on the bottom of the three installed support legs until the sliding table top is between 0.010" and 0.020" higher than the table saw top.



- 4 Use a 13mm wrench to tighten the hex head bolt closest to the front of the saw and to loosen the hex head bolt closest to the rear of the saw.



- 5 Repeat step 2, but lay the straight edge across the sliding table top near the rear of the mounting bracket.



WITH

OR

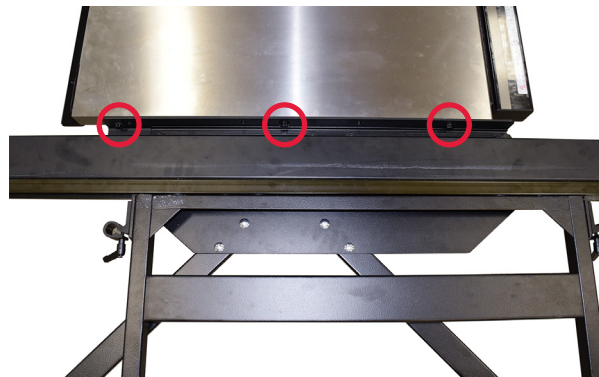
WITHOUT

EXTENSION WING

- 6** Recheck both ends of the table (front and back) to make sure they are still correct.

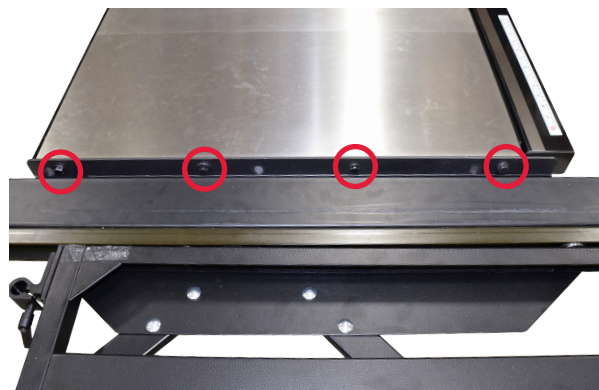


- 7** **For ICS without extension wing:** Use a 13mm wrench to tighten the three M10 hex head bolts attaching the mounting bracket to the extension wing or saw table.



For ICS with extension wing: Use 13mm wrenches to tighten the M8 bolts and M8 nuts.

For PCS without extension wing: Use a 13mm wrench to tighten the four hex head bolts attaching the mounting bracket to the extension wing or saw table.



For PCS with extension wing: Use 13mm wrenches to tighten the M8 bolts and M8 nuts.

Installing the Remaining Support Leg

For installations **WITH OR WITHOUT** the extension wing.

Requires: Hardware Bag 4 (p.5)
13mm Wrench

**WITH OR WITHOUT
EXTENSION WING**

- 1 Position the remaining support leg and attached leg bracket next to the rear edge of the outer guide tube.



- 2 Thread the leveling foot all the way into the support leg.



- 3 Attach the leg bracket to the outer guide tube using two hex head bolts (1.44) and two washers (1.10). (These bolts and washers are what were leftover from hardware bag 3). Use a 13mm wrench to tighten the bolts.



WITH

OR

WITHOUT

EXTENSION WING

4

Thread the leveling foot out of the support leg until the bottom of the leveling foot rests on the floor. Use a 13mm wrench to tighten the hex nut to secure the leveling foot.



For installations **WITH OR WITHOUT** the extension wing.

Requires: Straightedge or Rip Fence at Least 30" in Length

**WITH OR WITHOUT
EXTENSION WING**



ALIGN THE SLIDING TABLE WITH THE BLADE AND NOT THE MITER SLOT.



ALWAYS MAKE SURE THAT BOTH THE DISCONNECT SWITCH AND THE MAIN POWER SWITCH ARE IN THE OFF POSITION BEFORE MAKING ANY ADJUSTMENTS TO YOUR SAW.

The sliding table must be parallel to the blade. To align the table, you will need a straightedge or rip fence at least 30" in length.

- 1 Install the crosscut fence in the traditional configuration (at the front of the sliding table), with 8-12" of clearance between the beveled end of the fence and the saw blade.



- 2 Raise the saw blade to the highest elevation. Place a straightedge or rip fence flush against the left side of the blade.



WITH

OR

WITHOUT

EXTENSION WING

- 3 Slide the sliding table toward the front of the guide tubes until the crosscut fence ruler is aligned with the front edge of your straightedge or rip fence.



- 4 Use a 10mm wrench to slightly loosen the hex head bolt between the thumbscrews in the crosscut fence.



- 5 Slide the crosscut fence ruler towards the blade until it is about 1/4" from the left edge of the straightedge or rip fence.



- 6 Slide the sliding table smoothly toward the back of the saw until the crosscut fence ruler is aligned with the rear edge of your straightedge or rip fence while checking to see if there is any variation in the distance between the end of the crosscut ruler and the straightedge or rip fence.



- 7 Use a 13mm wrench to loosen the four hex head bolts (1.11) securing the two stepped leg mounting brackets to the outer guide tube.



If there is no variation along the whole distance of the straightedge or ruler, skip the adjustment steps below. If any variation between the end of the crosscut fence ruler and the straightedge or rip fence is observed, proceed to step 8 below.

- 8 If the crosscut fence ruler moves towards the straightedge or rip fence as the sliding table is slid from the front to the back of the saw, the rear end of the outer guide tube is angled towards the blade, and must be realigned. Move the rear end of the outer guide tube slightly away from the blade.



- 9 If the crosscut fence ruler moves away from the straightedge or rip fence as the sliding table is slid from the front to the back of the saw, the rear end of the outer guide tube is angled away from the blade, and must be realigned. Move the rear end of the outer guide tube slightly towards the blade.



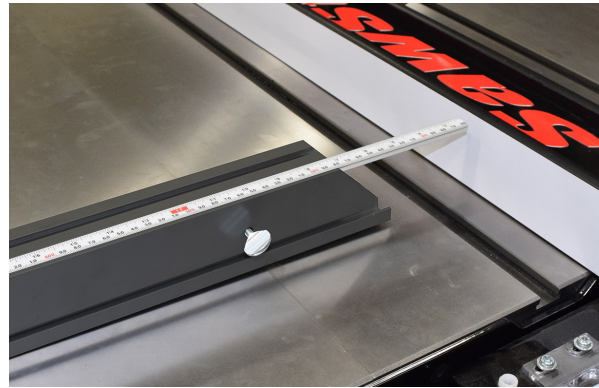
WITH

OR

WITHOUT

EXTENSION WING

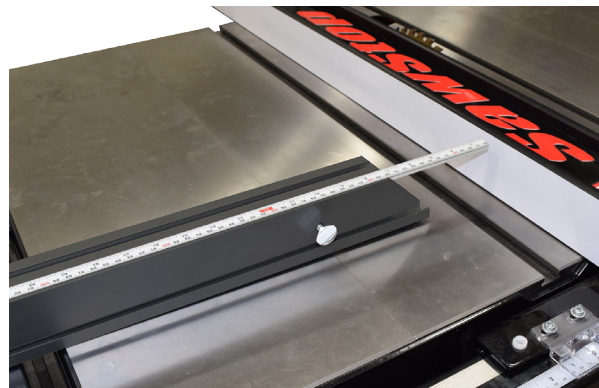
- 10 Recheck the alignment to make sure it is correct and make any necessary adjustments.



- 11 Use a 13mm wrench to re-tighten the four hex head bolts (1.11) securing the two stepped leg brackets to the outer guide rail.



- 12 Recheck the alignment once more to make sure it is still correct.



- 13 Slide the crosscut fence ruler back towards the crosscut fence until it no longer extends beyond the edge of the crosscut fence. It will be aligned later, so do not re-tighten the hex head bolt to secure it in place at this time.



Setting the Miter Angle Ruler (Front)

For installations **WITH OR WITHOUT** the extension wing.

Requires: Straightedge or Rip Fence at Least 30" in Length
Machinist/Engineering Square
10mm Wrench

**WITH OR WITHOUT
EXTENSION WING**



ALIGN THE CROSSCUT FENCE WITH THE BLADE AND NOT THE MITER SLOT.



ALWAYS MAKE SURE THAT BOTH THE DISCONNECT SWITCH AND THE MAIN POWER SWITCH ARE IN THE OFF POSITION BEFORE MAKING ANY ADJUSTMENTS TO YOUR SAW.

The crosscut fence must be perpendicular to the blade. To align the crosscut fence, you will need a straightedge or rip fence at least 30" in length.

- 1 Install the crosscut fence in the traditional configuration (at the front of the sliding table). Do not tighten the lock handle or the miter lock handle on the fence lock assembly.



- 2 Use a machinist or engineering square to position the crosscut fence exactly 90 degrees relative to the saw blade.



WITH

OR

WITHOUT

EXTENSION WING

- 3 Use a 10mm wrench to loosen the two hex head bolts securing the angle guide rail to the sliding table.



- 4 Slide the angle guide rail to align the front hole in the miter detent pin positioning bracket (the 90 degree hole) with the miter detent pin in the fence lock assembly. The miter angle ruler may not be aligned with the crosscut fence at this point, but it will be adjusted in step 6.



- 5 Re-tighten the hex head bolts to lock the angle guide rail in place.



- 6 Tighten the lock handle and the miter lock handle on the fence lock assembly to lock the crosscut fence in place.



WITH OR WITHOUT
EXTENSION WING

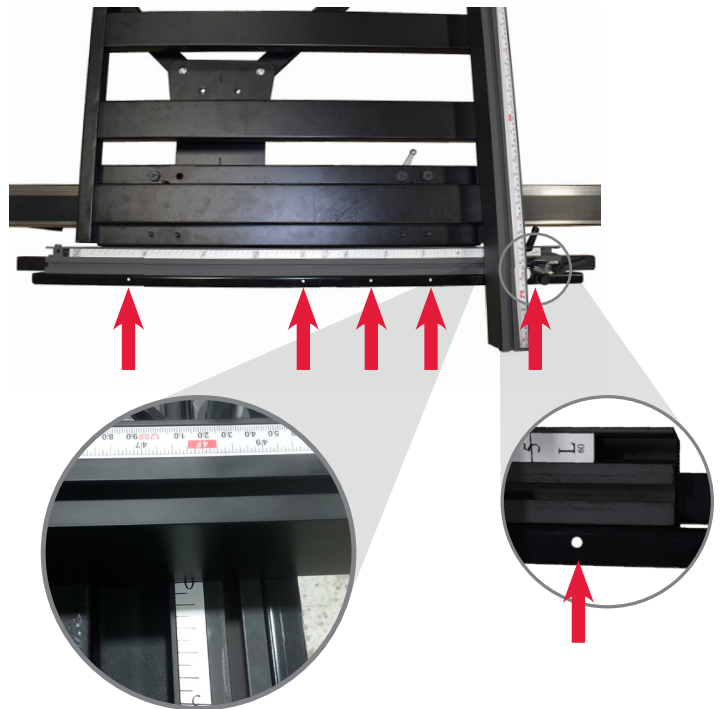
7 Recheck the alignment between the crosscut fence and the blade. If necessary, use a 10mm wrench to loosen the three hex head bolts securing the miter detent pin positioning bracket to the angle guide rail and use the clearance provided by the elongated slots to realign the 90 degree hole with the miter detent pin in the fence lock assembly. Re-tighten the three hex head bolts.



8 Check the miter angle ruler. If the reading is not 0 degrees, loosen the hex head bolt near the middle of the inside edge of the angle guide rail and adjust the position of the miter angle ruler to read 0 degrees. Re-tighten the hex head bolt.



9 The miter detent pin positioning bracket has five holes in the top, which correspond to 90, 15, 22.5, 30, and 45 degrees for the crosscut fence. The holes can be used to quickly align the crosscut fence for miter cuts without having to use the miter angle ruler.



When aligning the fence with the desired marking on the miter angle ruler, read markings on the side of the fence that faces away from the operator.

Setting the Miter Angle Ruler (Rear)

For installations **WITH OR WITHOUT** the extension wing.

Requires: Straightedge or Rip Fence at Least 30" in Length
Machinist/Engineering Square
10mm Wrench

**WITH OR WITHOUT
EXTENSION WING**



ALIGN THE CROSSCUT FENCE WITH THE BLADE AND NOT THE MITER SLOT.



ALWAYS MAKE SURE THAT BOTH THE DISCONNECT SWITCH AND THE MAIN POWER SWITCH ARE IN THE OFF POSITION BEFORE MAKING ANY ADJUSTMENTS TO YOUR SAW.

The crosscut fence must be perpendicular to the blade. To align the crosscut fence, you will need a straightedge or rip fence.

- 1 Install the crosscut fence in the Euro configuration (at the rear of the sliding table). Do not tighten the lock handle or the miter lock handle on the fence lock assembly.



- 2 Use a machinist or engineering square to position the crosscut fence exactly 90 degrees relative to the saw blade. Tighten the lock handle and the miter lock handle on the fence lock assembly to lock the crosscut fence in place.



WITH

OR

WITHOUT

EXTENSION WING

3

Check the alignment between the miter detent pin positioning locator block and the miter detent pin in the fence lock assembly. If they do not align when the crosscut fence is exactly 90 degrees relative to the saw blade, use a 10mm wrench to loosen the hex head bolt at the rear end of the angle guide rail and adjust the miter detent pin positioning locator block until it aligns with the miter detent pin. Retighten the hex head bolt.



Setting the Crosscut Fence Ruler

For installations **WITH OR WITHOUT** the extension wing.

Requires: 10mm Wrench
Tape Measure
Scrap Piece of Wood

**WITH OR WITHOUT
EXTENSION WING**



THE CROSSCUT FENCE RULER CAN BE REMOVED AND REINSTALLED IN THE OPPOSITE DIRECTION TO ACCOMMODATE USE OF THE CROSSCUT FENCE IN EITHER THE TRADITIONAL OR THE EURO CONFIGURATION.



ALWAYS LEAVE AT LEAST 1/4" OF CLEARANCE BETWEEN THE EDGE OF THE CROSSCUT FENCE AND THE SAW BLADE. CONTACT BETWEEN THE CROSSCUT FENCE AND THE SAW BLADE WILL ACTIVATE YOUR SAWSTOP SAFETY SYSTEM.

- 1 Make sure the table saw motor is off and the blade is completely stopped. Install the crosscut fence in the traditional configuration (at the front of the sliding table).



- 2 Adjust the flip stop assembly to about 12" from the blade.



WITH

OR

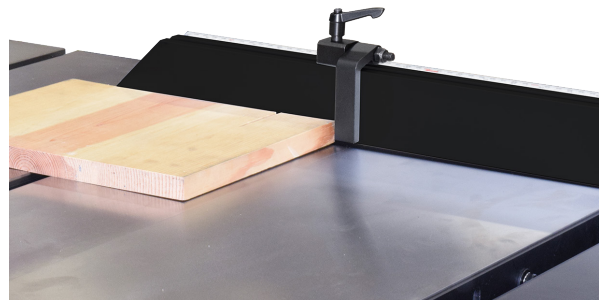
WITHOUT

EXTENSION WING

- 3 Adjust the blade elevation to about 1/8" above the height of a piece of scrap wood.



- 4 Slide the sliding table to its forward-most position on the inner and outer guide tubes, then place the piece of scrap wood against the flip stop and the crosscut fence. Turn the saw ON and pull the Start/Stop paddle out to the ON position to spin the blade.



- 5 Hold the wood securely against the crosscut fence and the flip stop and slowly and smoothly push the sliding table, crosscut fence, and workpiece past the blade.



- 6 Push the Start/Stop paddle in to stop the blade and power OFF the saw. Use a tape measure to check the dimension of the cut piece of wood.



WITH OR WITHOUT
EXTENSION WING

- 7 Use a 10mm wrench to loosen the hex head bolt between the thumb screws on the crosscut fence.



Slide the crosscut fence ruler until the right edge of the flip stop indicates the measurement of the cut piece of wood. Re-tighten the hex head bolt.



TO REDUCE THE POTENTIAL FOR KICKBACK AND A SERIOUS INJURY, MOVE THE RIP FENCE OUT OF CONTACT WITH THE WORKPIECE WHEN CROSS-CUTTING TO PREVENT THE WORKPIECE FROM BINDING BETWEEN THE RIP FENCE AND THE BLADE.

- 1 To position the crosscut fence relative to the blade, loosen the lock handle in the fence pivot assembly and the lock handle in the fence lock assembly. With the blade guard installed, raise the saw blade to the highest elevation and tilt it to 45 degrees.

Pivot the crosscut fence until it is parallel to the front edge of the saw (90 degrees to the blade). Slide the crosscut fence to the right until the right side of the crosscut fence is about 2" from the left side of the blade.

If you want to position the crosscut fence closer to the blade, be careful not to run the crosscut fence into the blade, blade guard or anti-kickback pawls during operation.

Re-tighten the lock handles.

- 2 To adjust the crosscut miter angle, loosen the lock handle and the miter lock handle on the fence lock assembly to allow the crosscut fence to pivot. Using the miter angle ruler or the holes in the miter detent pin positioning bracket, set the fence to the desired miter angle and re-tighten the lock knobs to secure the crosscut fence in place.



IF USING THE CROSSCUT FENCE RULER TO POSITION THE CROSSCUT FENCE FLIP STOP ASSEMBLY, YOU SHOULD REPOSITION THE RULER AFTER CHANGING THE MITER ANGLE.

- 3 To make repetitive cuts, loosen the lock handle on the flip stop and slide the flip stop into the desired position. Re-tighten the lock handle to lock the flip stop in place.
- 4 Unlock the sliding table by pulling the table lock handle toward the front of the sliding table.
- 5 To prevent the sliding table from moving, push the table lock handle toward the back of the sliding table. When the sliding table is not in use, lock it in place so that it will not move unexpectedly.

- 6 For wider work pieces (up to 102", depending on the configuration of your sliding crosscut table), make sure the crosscut fence is positioned over the sliding table.

Next, loosen the thumb screws and slide the crosscut fence extension and crosscut fence extension tube to the left as needed to accommodate the wider work piece. Re-tighten the thumb screws.

- 7 To make a bevel cut, loosen the lock handle in the fence pivot assembly and the lock handle in the fence lock assembly. With the blade guard installed, raise the saw blade and tilt it to the desired angle (i.e. 45 degrees). Pivot the crosscut fence until it is parallel to the front edge of the saw. Slide the crosscut fence to the right until the right side of the crosscut fence is about 2" from the left side of the blade.

If you want to position the crosscut fence closer to the blade, be careful not to run the crosscut fence into the blade guard or anti-kickback pawls during operation. Re-tighten the lock handles.

- 8 The sliding crosscut table assembly can be removed from your saw for storage or in order to move the saw. To do this, use a 13mm wrench to remove the bolts securing the mounting bracket to your extension wing or saw table.

Then use a 13mm wrench to remove the hex head bolt securing the sliding table support tube to the rear rail of the saw or to remove the two hex head bolts securing the cabinet mounting bracket to your saw cabinet, depending on how you installed your sliding table support tube.

The sliding crosscut table assembly can then be lifted up and moved to the desired location.

Warranty

SawStop warrants to the original retail purchaser of a new Large Sliding Table from an authorized SawStop distributor that the Large Sliding Table system will be free from defects in material and workmanship for ONE YEAR from the date of purchase. SawStop warrants to the original retail purchaser of a refurbished, demonstration or floor model Large Sliding Table from an authorized SawStop distributor that the Large Sliding Table system will be free from defects in material and workmanship for SIX MONTHS from the date of purchase.

This warranty does not apply to defects arising from misuse, abuse, negligence, accidents, normal wear-and-tear, unauthorized repair or alteration, or lack of maintenance. This warranty is void if the Large Sliding Table system or any portion of the Large Sliding Table system is modified without the prior written permission of SawStop, LLC, or if the Large Sliding Table system is located or has been used outside of the country where the authorized SawStop distributor from whom the Large Sliding Table system was purchased resides.

Please contact SawStop to take advantage of this warranty. If SawStop determines the Large Sliding Table system is defective in material or workmanship, and not due to misuse, abuse, negligence, accidents, normal wear-and-tear, unauthorized repair or alteration, or lack of maintenance, then SawStop will, at its expense and upon proof of purchase, send replacement parts to the original retail purchaser necessary to cure the defect. Alternatively, SawStop will repair the Large Sliding Table system provided it is returned to SawStop, shipping prepaid, with proof of purchase and within the warranty period.

SawStop disclaims any and all other express or implied warranties, including merchantability and fitness for a particular purpose. SawStop shall not be liable for death, injuries to persons or property, or incidental, consequential, contingent or special damages arising from the use of the Large Sliding Table system.

This warranty gives you specific legal rights. You may have other rights which vary from state to state.

A table saw is a dangerous tool and there are hazards inherent with using your saw. Some of these hazards are discussed below. Use common sense when operating the saw and Large Sliding Table system and use them only as instructed.

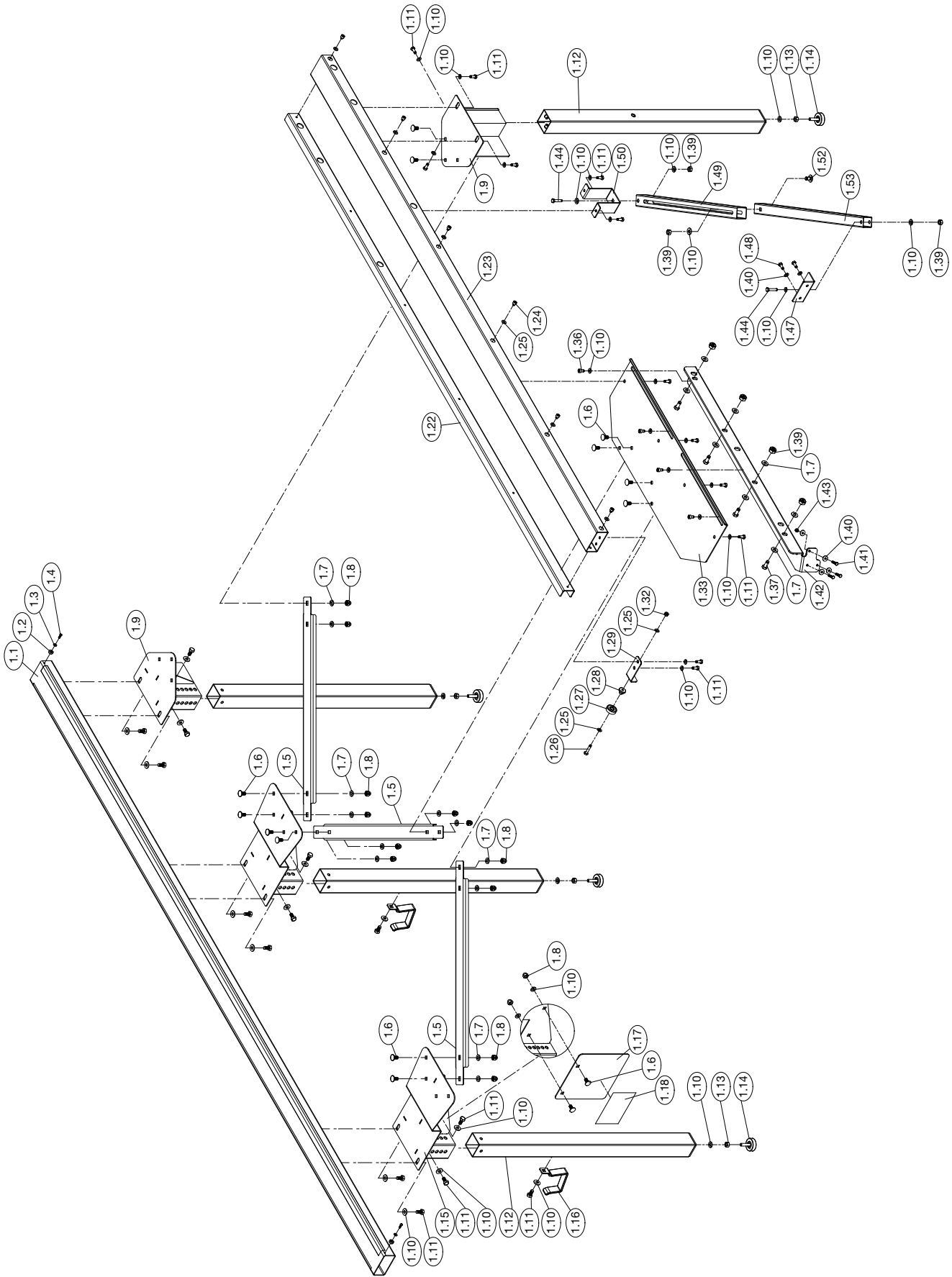
You are responsible for your own safety!

Warnings

1. Read and understand the instruction manual and all safety warnings before operating the saw and large sliding table. Failure to follow instructions or heed warnings may result in electric shock, fire, serious personal injury or property damage. Save these instructions and refer to them whenever necessary.
2. **WARNING:** This product contains one or more chemicals known to the State of California to cause cancer and birth defects or other reproductive harm. In addition, some types of dust created by sawing, power sanding, grinding, drilling, and other construction activities also contain chemicals known to cause cancer, birth defects or other reproductive harm. Some examples of these chemicals are lead from lead-based paints, crystalline silica from bricks, cement, and other masonry products, and arsenic and chromium from chemically treated lumber. In addition, wood dust has been listed as a known human carcinogen by the U.S. government. The risk from exposure to these chemicals and to dust varies depending on how often you do this type of work. To reduce your exposure, work in a well ventilated area and work with approved safety equipment including dust masks or respirators designed to filter out such dust and chemicals.
3. Keep guards in place and in working order. Use the blade guard and spreader for every operation for which it can be used, including all-through sawing. Use a push stick when required.
4. Wear proper apparel when using the saw and large sliding table. Do not wear loose clothing, gloves, neckties, rings, bracelets, or other jewelry which may get caught in moving parts. Non-slip footwear is recommended. Wear a protective hair covering to contain long hair.
5. Always wear safety glasses when using the saw. Also use a face or dust mask if the cutting operation is dusty. Everyday eyeglasses are not safety glasses.
6. Keep hands out of the line of the saw blade. Never reach around or over the saw blade. Keep proper footing and balance at all times.

7. Maintain the large sliding table as specified in this manual. Use only identical replacement parts when servicing the large sliding table.
8. Turn the power disconnect switch to OFF before servicing the saw and/or large sliding table. Always ensure the power is OFF before changing components or accessories such as blades, brake cartridges, and the like.
9. Check to make sure the saw and large sliding table are in proper working order before using them. For example, check the alignment of moving parts, look to see whether moving parts are binding or rubbing, check to see whether parts are broken, make sure accessories are properly mounted in the saw, and check any other conditions that may affect the operation of the saw or large sliding table. Any parts that are damaged should be properly repaired or replaced.

Support System Exploded View



Support System Parts List

No.	Description	Part No.	Qty.
1.1	Outer Guide Tube	TSA-SA70-001	1
1.2	Spacer	TSA-SA70-002	2
1.3	M4 x 10 x 1 Washer	TSA-SA70-003	2
1.4	M4 x 0.7 x 12 Button Head Phillips Screw	TSA-SA70-004	2
1.5	Lateral Bracket	TSA-SA70-005	3
1.6	M8 x 1.25 x 16 Carriage Head Shoulder 3.5mm Bolt	TSA-SA70-006	12
1.7	M8 x 16 x 2 Washer	TSA-SA70-007	14
1.8	M8 x 1.25 Hex Cap Nut	TSA-SA70-008	14
1.9	Leg Bracket	TSA-SA70-009	2
1.10	M8 x 19 x 2 Washer	TSA-SA70-010	29
1.11	M8 x 1.25 x 16 Hex Head Bolt	TSA-SA70-011	20
1.12	Support Leg	TSA-SA70-012	4
1.13	M8 x 1.25 x 5.5mm Hex Nut	TSA-SA70-013	4
1.14	Leveling Foot	TSA-SA70-014	4
1.15	Stepped Leg Bracket	TSA-SA70-015	2
1.16	Crosscut Fence Storage Bracket	TSA-SA70-016	2
1.17	Logo Plate	TSA-SA70-017	1
1.18	SawStop Label	TSA-SA70-018	1
1.6	M8 x 1.25 x 16 Carriage Head Shoulder 3.5mm Bolt	TSA-SA70-019	2
1.22	Bearing Guide Channel	TSA-SA70-022	1
1.23	Inner Guide Tube	TSA-SA70-023	1
1.24	M6 x 1.0 x 8 Socket Head Cap Screw	TSA-SA70-024	6
1.25	M6 x 13 x 2 Washer	TSA-SA70-025	8
1.26	M6 x 1.0 x 30 Hex Head Bolt	TSA-SA70-026	1
1.27	10mm ID x 30mm OD Ball Bearing	TSA-SA70-027	1
1.28	Support Bearing Bushing	TSA-SA70-028	1
1.29	Front Bracket	TSA-SA70-029	1
1.11	M8 x 1.25 x 16 Hex Head Bolt	TSA-SA70-030	2
1.10	M8 x 19 x 2 Washer	TSA-SA70-031	2
1.32	M6 x 1.0 Lock Nut	TSA-SA70-032	1
1.33	Positioning Plate	TSA-SA70-033	1
1.10	M8 x 19 x 2 Washer	TSA-SA70-034	8
1.11	M8 x 1.25 x 16 Hex Head Bolt	TSA-SA70-035	4
1.36	M8 x 1.25 x 12 Socket Head Cap Screw	TSA-SA70-036	4

Support System Parts List

No.	Description	Part No.	Qty.
1.37	M8 x 1.25 x 30 Hex Head Bolt	TSA-SA70-037	4
1.7	M8 x 16 x 2 Washer	TSA-SA70-038	8
1.39	M8 x 1.25 Lock Nut	TSA-SA70-039	4
1.40	M5 x 16 x 1 Washer	TSA-SA70-040	3
1.41	M5 x 0.8 x 20 Hex Head Bolt	TSA-SA70-041	3
1.42	Mounting Bracket	TSA-SA70-042	1
1.43	M5 Lock Nut	TSA-SA70-043	3
1.44	M8 x 1.25 x 50 Hex Head Bolt	TSA-SA70-044	2
1.40	M5 x 16 x 1 Washer	TSA-SA70-045	2
1.47	Cabinet Mounting Bracket	TSA-SA70-047	1
1.48	M5 x 1.25 x 18 Pan Head Phillips Self-Tapping Screw	TSA-SA70-048	2
1.49	Sliding Table Support Sleeve	TSA-SA70-049	1
1.50	Frame Support Mounting Bracket	TSA-SA70-050	1
1.39	M8 x 1.25 Lock Nut	TSA-SA70-051	3
1.52	M8 x 1.25 x 16 Carriage Head Shoulder 2.3mm Bolt	TSA-SA70-052	1
1.53	Support Tube	TSA-SA70-053	1

This page is blank.

Table Assembly Exploded View

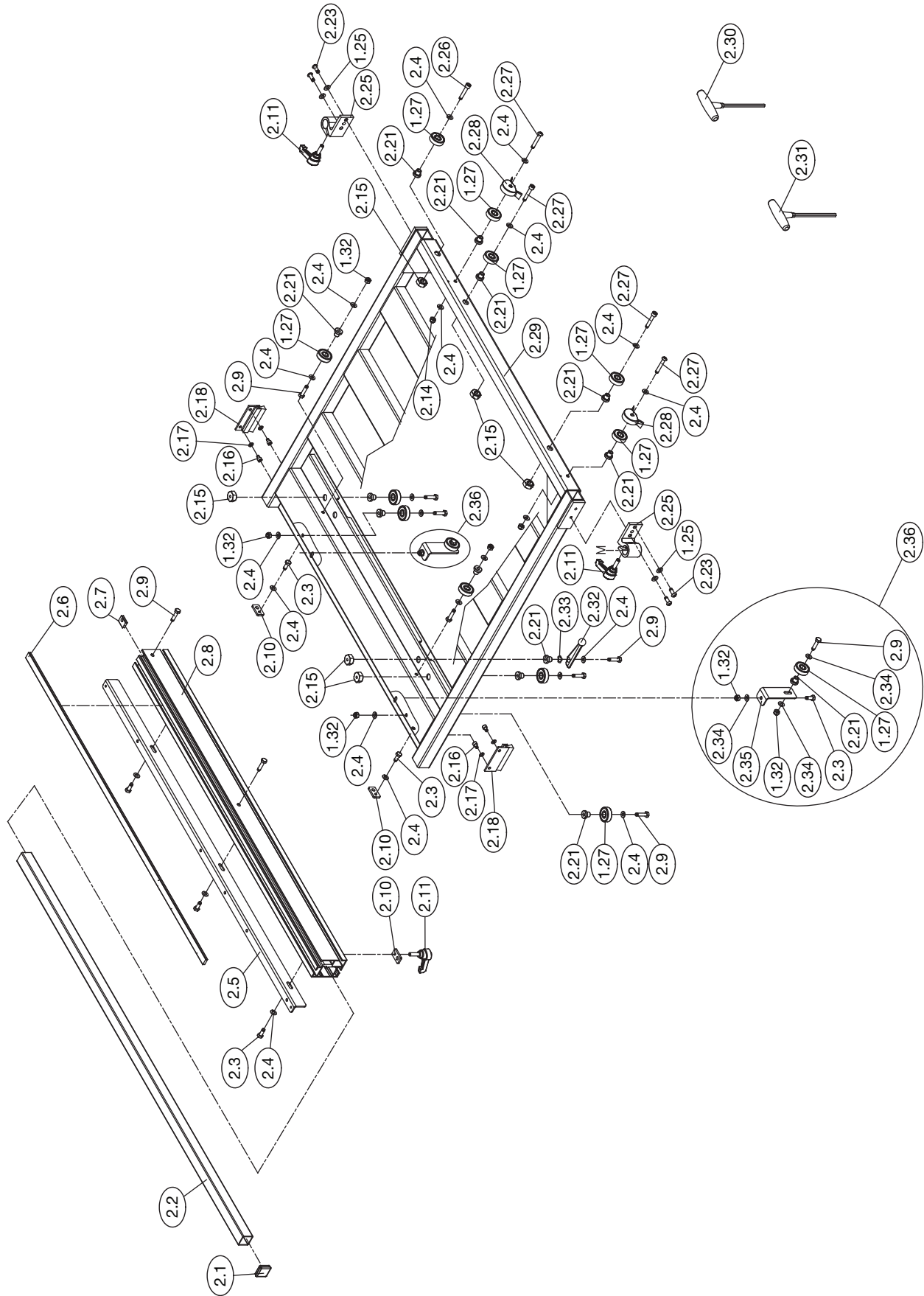
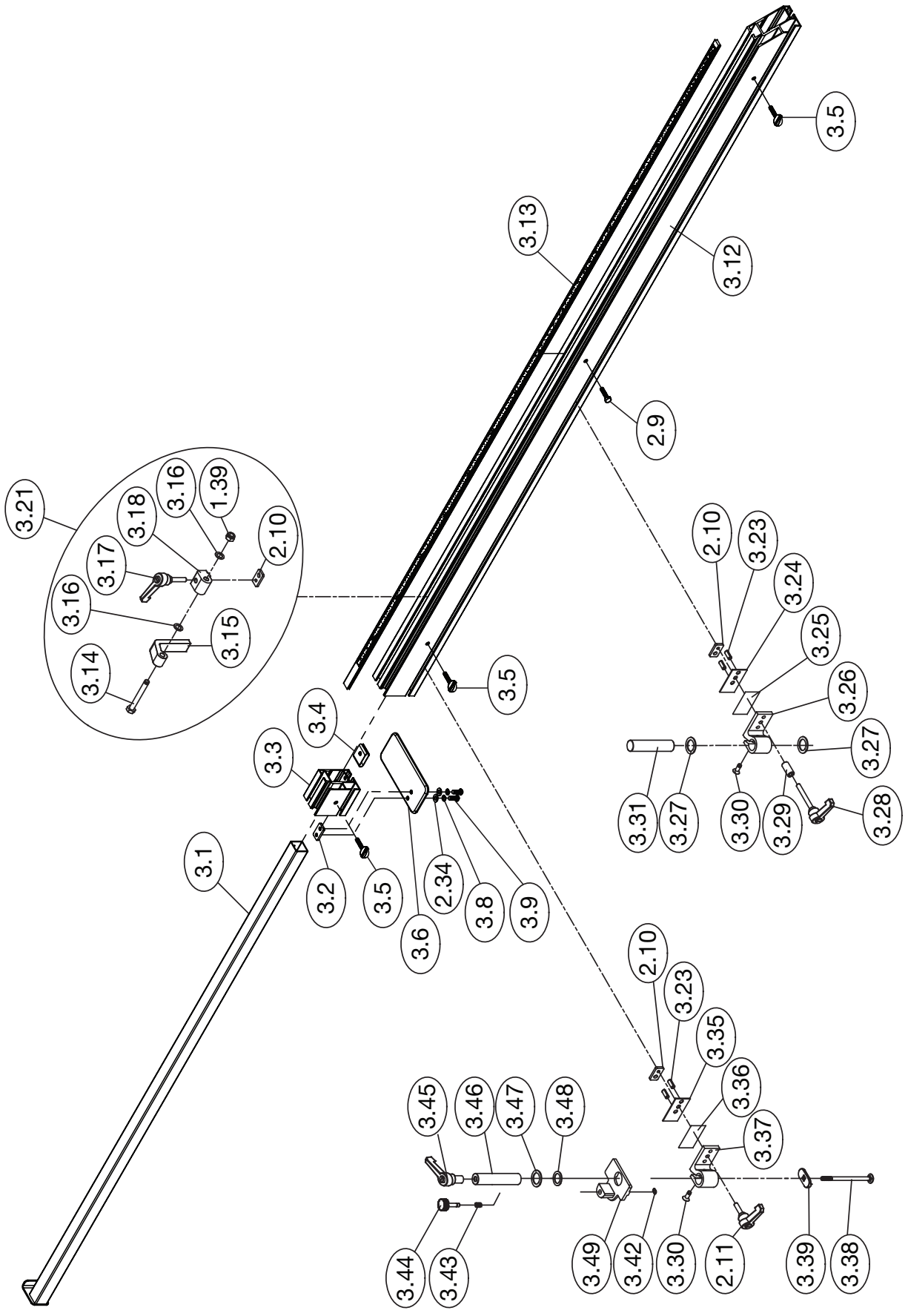


Table Assembly Parts List

No.	Description	Part No.	Qty.
2.1	Table Position Handle End Cap	TSA-SA70-057	1
2.2	Table Position Handle	TSA-SA70-058	1
2.3	M6 x 1.0 x 16 Hex Head Bolt	TSA-SA70-059	3
2.4	M6 x 16 x 1.6 Washer	TSA-SA70-060	3
2.5	Miter Detent Pin Positioning Bracket	TSA-SA70-061	1
2.6	Miter Angle Ruler	TSA-SA70-062	1
2.7	Crosscut Fence Euro Position Locator Block	TSA-SA70-063	1
2.8	Angle Guide Rail	TSA-SA70-064	1
2.9	M6 x 1.0 x 25 Hex Head Bolt	TSA-SA70-065	2
2.10	M6 x 1.0 x 3.5 T-Nut	TSA-SA70-066	3
2.11	M6 x 1.0 x 20 Lock Handle	TSA-SA70-067	1
2.4	M6 x 16 x 1.6 Washer	TSA-SA70-068	20
2.3	M6 x 1.0 x 16 Hex Head Bolt	TSA-SA70-069	4
1.32	M6 x 1.0 Lock Nut	TSA-SA70-070	10
2.15	M6 x 1.0 Eccentric Nut	TSA-SA70-071	6
2.16	M5 x 0.8 x 8 Socket head Cap Screw	TSA-SA70-072	4
2.17	M5 x 12 x 1 Washer	TSA-SA70-073	4
2.18	Outer Guide Rail Brush	TSA-SA70-074	2
2.9	M6 x 1.0 x 25 Hex Head Bolt	TSA-SA70-075	9
1.27	10mm ID x 30mm OD Ball Bearing	TSA-SA70-076	13
2.21	Support Bearing Bushing	TSA-SA70-077	14
2.11	M6 x 1.0 x 20 Lock Handle	TSA-SA70-078	2
2.23	M6 x 1.0 x 16 Button Head Socket Screw	TSA-SA70-046	4
1.25	M6 x 13 x 2 Washer	TSA-SA70-079	4
2.25	Crosscut Fence Miter Pivot Bracket	TSA-SA70-080	2
2.26	M6 x 1.0 x 25 Socket Head Cap Screw	TSA-SA70-081	3
2.27	M6 x 1.0 x 30 Button Head Socket Screw	TSA-SA70-082	2
2.28	Guide Channel Scraper	TSA-SA70-083	2
2.29	Sliding Table	TSA-SA70-084	1
2.30	6mm Hex T-Wrench	TSA-SA70-085	1
2.31	5mm Hex T-Wrench	TSA-SA70-086	1
2.32	Table Lock Handle	TSA-SA70-087	1
2.33	M10 x 14.5 Wave Washer	TSA-SA70-088	1
2.34	M6 x 13 x 1 Washer	TSA-SA70-089	6
2.35	Guide Bearing Bracket	TSA-SA70-090	2
2.36	Guide Bearing Assembly	TSA-SA70-091	2

Crosscut Fence Exploded View



Crosscut Fence Parts List

No.	Description	Part No.	Qty.
3.1	Crosscut Fence Extension Tube	TSA-SA70-092	1
3.2	M6 x 1.0 x 3.5 Material Support T-Nut	TSA-SA70-093	1
3.3	Fence Extension	TSA-SA70-094	1
3.4	Crosscut Fence Extension Alignment Guide	TSA-SA70-095	1
3.5	M6 x 1.0 x 25 Thumb Screw	TSA-SA70-096	1
3.6	Crosscut Fence Extension Support Plate	TSA-SA70-097	1
2.34	M6 x 13 x 1 Washer	TSA-SA70-098	2
3.8	M6 Lock Washer	TSA-SA70-099	2
3.9	M6 x 1.0 x 12 Button Head Socket Screw	TSA-SA70-100	2
3.5	M6 x 1.0 x 25 Thumb Screw	TSA-SA70-101	2
2.9	M6 x 1.0 x 25 Hex Head Bolt	TSA-SA70-102	1
3.12	Crosscut Fence	TSA-SA70-103	1
3.13	Crosscut Fence Ruler Assembly	TSA-SA70-104	1
3.14	M8 x 1.25 x 65 Hex Head Bolt	TSA-SA70-105	1
3.15	Crosscut Fence Flip Stop	TSA-SA70-106	1
3.16	M10 x 16 x 1 Plastic Washer	TSA-SA70-107	2
3.17	M6 x 1.0 x 28 Lock Handle	TSA-SA70-108	1
3.18	Flip Stop Bar	TSA-SA70-109	1
1.39	M8 x 1.25 Lock Nut	TSA-SA70-110	1
2.10	M6 x 1.0 x 3.5 T-Nut	TSA-SA70-111	1
3.21	Flip Stop Assembly	TSA-SA70-112	1
2.10	M6 x 1.0 x 3.5 T-Nut	TSA-SA70-113	1
3.23	Spring Pin (6mm x 20mm)	TSA-SA70-114	2
3.24	Crosscut Fence Miter Pivot Glide Pad	TSA-SA70-115	1
3.25	Miter Glide Pad Adhesive Tape	TSA-SA70-116	1
3.26	Crosscut Fence Miter Pivot Plate	TSA-SA70-117	1
3.27	19.2 x 28 x 1.5 Plastic Washer (Adhesive Backed)	TSA-SA70-118	1
3.28	M6 x 1.0 x 48 Lock Handle	TSA-SA70-119	1
3.29	Fence Lock Handle Spacer	TSA-SA70-120	1
3.30	M6 x 1.0 x 16 Flat Head Socket Screw	TSA-SA70-121	1
3.31	Fence Miter Pivot Pin	TSA-SA70-122	1
3.27	19.2 x 28 x 1.5 Plastic Washer (Adhesive Backed)	TSA-SA70-123	1
2.10	M6 x 1.0 x 3.5 T-Nut	TSA-SA70-124	1
3.23	Spring Pin (6mm x 20mm)	TSA-SA70-125	2
3.35	Crosscut Fence Miter Lock Glide Pad	TSA-SA70-126	1
3.36	Adhesive Miter Plate Glide Pad Tape	TSA-SA70-127	1

Crosscut Fence Parts List

No.	Description	Part No.	Qty.
3.37	Crosscut Fence Miter Lock Bracket	TSA-SA70-128	1
3.38	M6 x 1.0 x 100 Carriage Head Bolt	TSA-SA70-129	1
3.39	M6 x 1.0 T-Nut	TSA-SA70-130	1
2.11	M6 x 1.0 x 20 Lock Handle	TSA-SA70-131	1
3.30	M6 x 1.0 x 16 Flat Head Socket Screw	TSA-SA70-132	1
3.42	6mm External Retaining Ring	TSA-SA70-133	1
3.43	Miter Detent Spring	TSA-SA70-134	1
3.44	Miter Detent Knob	TSA-SA70-135	1
3.45	M6 x 1.0 Miter Lock Handle	TSA-SA70-136	1
3.46	Crosscut Fence Miter Lock Pivot Sleeve	TSA-SA70-137	1
3.47	19.2 x 28 x 1.5 Plastic Washer	TSA-SA70-138	1
3.48	15mm O-Ring	TSA-SA70-139	1
3.49	Miter Detent Pin Block	TSA-SA70-140	1

This page is blank.

SawStop, LLC
11555 SW Myslony St | Tualatin, Oregon 97062 USA
www.sawstop.com

Main Phone: (503) 570-3200

Service: (503) 582-9934

Fax: (503) 570-3303

Email: info@sawstop.com