



Dust Collection Systems

Portable Vacuum Systems	151	Dust Collection Receptacles, Self-Contained Systems	156
Portable Vacuum Accessories	152	Overskirt Shrouds, Exhaust Hoses, Air Lines.....	157
Hose Cuffs	154	Downdraft Tables	158
Exhaust Hoses, Swivel Adapters, Conversion Kits	155		



Continued Leadership In Portable Abrasive Power Tool Technology

www.dynabrade.com

Portable Vacuum Systems

Choose from Electric or Pneumatic Systems

Ideal for Use with Dynabrade Vacuum Air Tools

Electric Portable Vacuum System

Connect and operate two tools simultaneously

Models 61300-61311

- Choose from 9.9 (36 litres) or 17 gallon (64 litres) models. Dry vacuum only.
- Two-tool setup: two pneumatic outlets and two vacuum hose ports.
- Heavy duty stainless steel drum. Drum can be removed for special applications or locations.
- HEPA filtration (0.3 micron) with felt insert and paper bag.
- Variable vacuum control; Electronic thermal protection device prevents heat overload of motor.
- Disposable paper bag fits inside steel drum for convenient collection/disposal of debris. One disposable paper bag included with vacuum purchase. (Reorder part number 64682 for 9.9 gal. [36 L] vacuum; part number 80076 for 17 gal. [64 L] vacuum.)
- Max flow internal pneumatic workings.
- 7.5' (229 cm) water static lift/230 mbar vacuum.
- Two of the most innovative, lightweight 1-1/4" (32 mm) dia. x 20' (6 m) long coaxial hoses on the market today (see page 153).
- Auto on/off switch, 26' (8 m) electrical cord.
- UL (United States and Canada), CE (Europe), GOST (Russia) and Korean approved/listed. Also certified "M" Class Dust Collection (Europe).
- Features Dynabrade's Composite-Style Couplers and Vacuum Hose Swivel Adapter (see pages 161 and 155).



Pneumatic Portable Vacuum System

Spark-free operation

Model 64625

- Powerful industrial vacuum for commercial use, particularly where use of electric equipment is hazardous or where electric supply is not available.
- 10 gal. (37.8 litres) capacity; developed to be safe and portable.
- Top of the vacuum head is designed to work as a shelf to hold air tools, sandpaper, etc.
- The filter element is water resistant and washable.
- Includes a set of five dust bags (Part No. 64627).

Model Number	Capacity Gallon (Litres)	Voltage / Frequency	Watts	Plug (Region)	Air Pressure PSIG (Bar)	Water Static Lift Inch/cm/mbar	Sound Level	Shipping Weight lbs. (kg)	Height Inch (mm)	Width Inch (mm)
61300	9.9 (36)	120V/60 Hz	1,300	US (US/Canada)	90 (6.2)	90/229/230	76 dB(A)	48.4 (22.0)	38-1/2 (978)	20-7/8 (530)
61301	17 (64)	120V/60 Hz	1,300	US (US/Canada)	90 (6.2)	90/229/230	76 dB(A)	61.6 (28.0)	44-7/8 (1,140)	27-5/8 (702)
61302	9.9 (36)	230V/50 Hz	1,400	UK (UK)	90 (6.2)	90/229/230	76 dB(A)	48.4 (22.0)	38-1/2 (978)	20-7/8 (530)
61303	17 (64)	230V/50 Hz	1,400	UK (UK)	90 (6.2)	90/229/230	76 dB(A)	61.6 (28.0)	44-7/8 (1,140)	27-5/8 (702)
61304	9.9 (36)	110V/60 Hz	1,300	UK (UK)	90 (6.2)	90/229/230	76 dB(A)	48.4 (22.0)	38-1/2 (978)	20-7/8 (530)
61305	17 (64)	110V/60 Hz	1,300	UK (UK)	90 (6.2)	90/229/230	76 dB(A)	61.6 (28.0)	44-7/8 (1,140)	27-5/8 (702)
61306	9.9 (36)	230V/50 Hz	1,400	CEE7/XVII (Europe)	90 (6.2)	90/229/230	76 dB(A)	48.4 (22.0)	38-1/2 (978)	20-7/8 (530)
61307	17 (64)	230V/50 Hz	1,400	CEE7/XVII (Europe)	90 (6.2)	90/229/230	76 dB(A)	61.6 (28.0)	44-7/8 (1,140)	27-5/8 (702)
61308	9.9 (36)	230V/50 Hz	1,400	None (International)	90 (6.2)	90/229/230	76 dB(A)	48.4 (22.0)	38-1/2 (978)	20-7/8 (530)
61309	17 (64)	230V/50 Hz	1,400	None (International)	90 (6.2)	90/229/230	76 dB(A)	61.6 (28.0)	44-7/8 (1,140)	27-5/8 (702)
61310	9.9 (36)	220V/60 Hz	1,400	(Far East)	90 (6.2)	90/229/230	76 dB(A)	48.4 (22.0)	38-1/2 (978)	20-7/8 (530)
61311	17 (64)	220V/60 Hz	1,400	(Far East)	90 (6.2)	90/229/230	76 dB(A)	61.6 (28.0)	44-7/8 (1,140)	27-5/8 (702)
64625	10 (37.8)	-	-	-	110-120 (7.6-8.3)	90/229/230	73 dB(A)	48.4 (22.0)	44 (1,118)	19 (483)

Electric Portable Vacuum Accessories

Customize your Portable Vacuum System

For More Efficient Use of Valuable Workshop Space

Vacuum Tray

Part Number 96567
9.9 gallon (36 litres)

Part Number 96563
17 gallon (64 litres)

- A convenient, heavy duty storage tray for work-related items.
- Shown with optional 96581 Hanger, ideal for hanging vacuum hoses.



Locking-Front Wheel Assembly

Part Number 80051

- Lock vacuum in place with the simple ease of a push-lock system.



Replacement Brushes

Part Number 80057 110 V - 60 Hz.

- Quantity of two.

Part Number 80058 230 V - 50 Hz.

- Quantity of two.



Vacuum Cleaning Kit

Part Number 96558

- Includes 6' (1.8 m) long x 1-1/4" (32 mm) dia. vacuum hose, curved handle and two extension pipes along with round brush, crevice tool and coarse dirt nozzle attachments.
- For use with all electric portable vacuums.
- 64621 Cleaning Kit is available - for use with discontinued vacuums (models 64600 and 64605).



Wall Mount Bracket

Part Number 96534

- Keep vacuum off floor and convenient for use.



Hose Hanger

Part Number 96581

- Keep vacuum hose out of the way and off the floor.
- Use in conjunction with one of the vacuum trays. Hose hanger can be placed anywhere on the tray.



"Y" Vacuum Connector

Part Number 64686

- Allows two tools to be connected to the same portable vacuum system.



Vacuum Edge Guard

Part Number 61361

- Non-marring protective edge allows vacuum unit to be placed on finished surfaces.
- For use with 9.9 gallon (36 litres) models only.



Disposable Bags



Part Number	Description	For Use With
50692	1-2 Micron (400/case)	95575 Bag 'n Box System and 54288 Bag 'n Bag System
50693	1-2 Micron (24/pkg.)	95575 Bag 'n Box System and 54288 Bag 'n Bag System
64682	5 Micron (10/pkg.)	Portable Vacuum Models 61300, 61302, 61304, 61306 and 61308
80076	5 Micron (10/pkg.)	Portable Vacuum Models 61301, 61303, 61305, 61307 and 61309
64627	Plastic (12/pkg.)	Portable Vacuum Model 64625
64601	5 Micron (5/case)	Portable Vacuum Model 64600 (discontinued)
64606	5 Micron (5/case)	Portable Vacuum Model 64605 (discontinued)

Electric Portable Vacuum Accessories

Customize your Portable Vacuum System

For Maximum Dust Collection and Ease of Operation

Paper Cartridge Filter

Part Number 64683

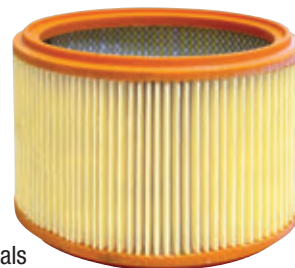
- Cartridge filtration capturing 1 micron respirable-size-particles.



HEPA Cartridge Filter

Part Number 64684

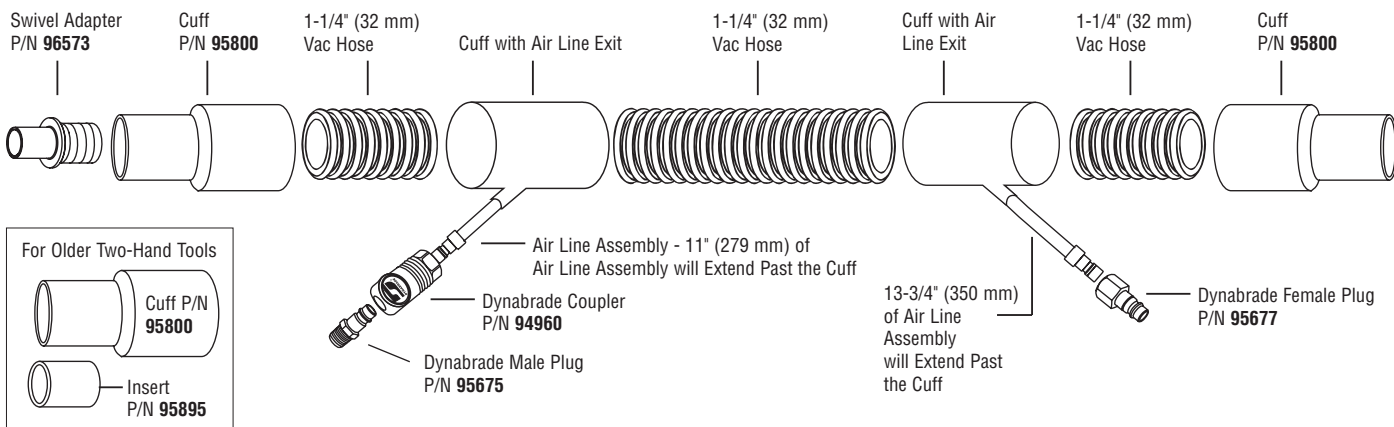
- True HEPA filtration is recognized as one of the most efficient air filtration methods available and has been proven to remove airborne particles.
- Our HEPA Cartridge Filter is certified 99.97% efficient in capturing 0.3 micron respirable-size-particles. (One micron equals 1 millionth of a meter.)



Coaxial Vacuum Hose Assemblies

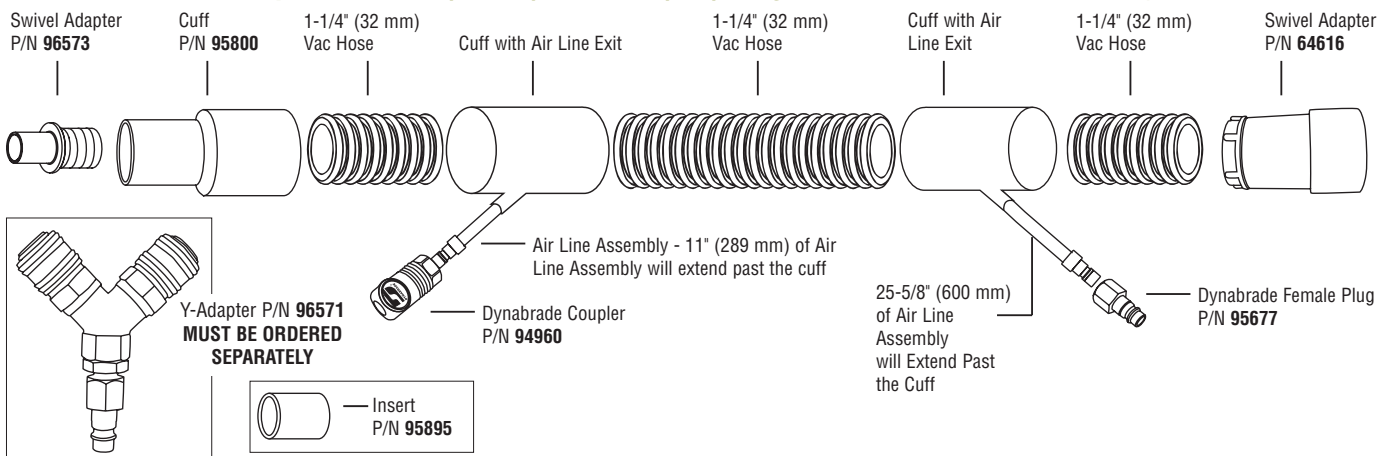
For Dynabrade Vacuum System

Part Number 94941 *Standard 1-1/4" (32 mm) dia. x 20' (6 m) Long Coaxial Vacuum Hose Assembly*



For Non-Dynabrade Vacuum Systems

Part Number 94943 *Optional 1-1/4" (32 mm) dia. x 20' (6 m) Long Coaxial Vacuum Hose Assembly*



Hose Cuffs

Many Configurations to Match Vacuum System Requirements

Hose Cuffs for Dynabrade Vacuum Tools - See Chart Below for Hose Cuff Details

Part Number	Connection to Vacuum Hose	Connection to Vacuum Tool	95895 Insert*	Dynabrade Vacuum Tool Compatibility
95396	1" Thread	1" Non-Thread	–	Self-Generated Vacuum Palm-Style Random Orbital Sanders; Vacuum Dynabug®, Dynabug® "Model T", Dynabug® II, Dynaline, Dynaflex® II
95800	1-1/4" Thread	1-1/4" Non-Thread	Optional	Self-Generated Vacuum Two-Hand Random Orbital Sanders; Vacuum DynaLocke® Sanders
95894	1-1/4" Thread	1" Non-Thread	Included	Central Vacuum Random Orbital Sanders (Palm-Style and 6" [152 mm] Dia. Two-Hand); 6" (152 mm) Dia. Central Vacuum Two-Hand Gear-Driven Sanders

*Use 95895 Insert to mount to tool's vacuum outlet

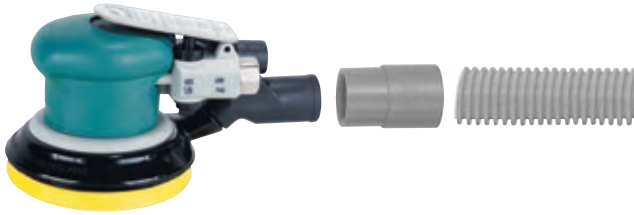
Single Hose Cuffs (Except Where Noted)

Part Number	Connection to Vacuum Hose	Image	Connection to Vacuum Tool
95601	3/4" Thread		3/4" Non-Thread
95602	3/4" Thread	 TWO FACTORY-INSTALLED CUFFS <i>Order 3/4" (19 mm) dia. hose separately</i>	3/4" Non-Thread
95396	1" Thread		1" Non-Thread
95599	1" Thread	 TWO FACTORY-INSTALLED CUFFS <i>Order 1" (25 mm) dia. hose separately</i>	1" Non-Thread
54208	1" Thread		1-1/4" Non-Thread
95894	1-1/4" Thread	 <i>Includes 95895 Insert to mount to tool's vacuum outlet directly</i>	1" Non-Thread
96006	1-1/4" Thread	 <i>Swivel cuff</i>	1" Non-Thread
95800	1-1/4" Thread	 <i>Use optional 95895 Insert to mount to tool's vacuum outlet</i>	1-1/4" Non-Thread
96412	1-1/4" Thread	 <i>Use to connect two 1-1/4" (32 mm) hoses</i>	1-1/4" Thread
96413	1-1/4" Thread		1-1/2" Thread

Part Number	Connection to Vacuum Hose	Image	Connection to Vacuum Tool
96414	1-1/4" Thread		1-1/2" Non-Thread
95698	1-1/4" Thread		2" Non-Thread
64616	1-1/4" Thread		2-1/4" Non-Thread
96103	1-1/2" Thread		1" Non-Thread
96104	1-1/2" Thread	 <i>Keeps the air line out of the way</i>	1" Non-Thread
96102	1-1/2" Thread	 <i>Use optional 95895 Insert to mount to tool's vacuum outlet</i> <i>Use 95396 Hose Cuff for 1" (25 mm) exhaust hose</i>	1-1/4" Non-Thread
95699	1-1/2" Thread		1-1/4" Non-Thread
97051	1-1/2" Thread		2" Non-Thread
95700	2" Thread	 <i>Includes 95699 Cuff Adapter and 95698 Swivel Cuff (2" [51 mm])</i> <i>Use 95396 Hose Cuff for 1" (25 mm) exhaust hose</i>	1-1/4" Non-Thread

Exhaust Hoses

Many Configurations to Match Vacuum System Requirements



Hose Diameter	Part Number	Length	Cuffs
3/4" (19 mm)	52036	2-1/2' (762 mm)	1
	50834	5' (152 cm)	2
	95729	Specify length	0*
1" (25 mm)	50638	18" (46 cm)	2
	50682	6' (183 cm)	2
	95596	4-1/2' (137 cm)	1
	95709	10' (305 cm)	2
	95395	Specify-up to 50' (15-1/4 m)	
1-1/4" (32 mm)	54201	4-1/2' (137 cm)	0
	54202	6' (183 cm)	2
	54205	Specify - up to 50' (15-1/4 m)	0*
1-1/2" (38 mm)	95847	Specify - up to 50' (15-1/4 m)	0

*NOTE: Optional 95602 Factory-Installed Cuffs available

Vacuum Hose Reduction Assembly

Part Number 96580

2" (51 mm) Non-Thread Vacuum Connection to 1-1/4" (32 mm) Tool Connection



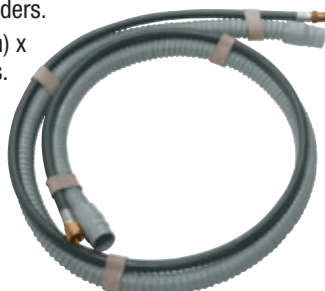
- For connecting tools with 2" (51 mm) vacuum port to Dynabrade Portable Vacuum.
- Use to connect Dynabrade 8" (203 mm) dia. Central Vacuum Random Orbital and Gear-Driven Sanders.

Exhaust Hose Assembly

Part Number 95820

1" (25 mm) Dia. x 10' (3 m) Long

- For use with Dynorbital® Sanders.
- 95709 Flex Hose: 1" (25 mm) x 10' (3-1/4 m) long with cuffs.
- 95816 Air Line: 1/4" (6 mm) dia. x 11' (3-3/8 m) long
- 95362 Rubber Connectors.



Vacuum Hose Swivel Adapters

The Adapter SWIVELS for Comfortable Tool Maneuverability

- Lightweight vacuum hose; easy connection to air tools.
- 1" (25 mm) connection to tool.

Part Number 96572 1" Swivel Adapter

- 1" (25 mm) connection to vacuum hose.

Part Number 96573 1-1/4" Swivel Adapter

- 1-1/4" (32 mm) connection to vacuum hose.



Vacuum Conversion Kits

For use with Dynorbital-Spirit® and Dynorbital® Supreme

- Pad diameter determines which kit is right for your tool.
- Conversion kit allows user to change tool into desired vacuum configuration.



Part Number 57120



Pad Diameter	Converts Tool to	Kit Part Number
3-1/2" (89 mm)	Vacuum Ready	57118
3-1/2" (89 mm)	Central Vacuum	57119
5" (127 mm)	Vacuum Ready	57120
5" (127 mm)	Central Vacuum	57121
6" (152 mm)	Vacuum Ready	57122
6" (152 mm)	Central Vacuum	57123

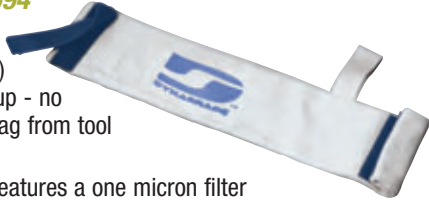
Dust Collection Receptacles

Easily Attach to Air-Powered Dynabrade Vacuum Tools

Mini-Reusable Felt Bag

Part Number 50694

- 11" (279 mm) long x 3" (76 mm) wide. End opens up - no need to remove bag from tool when emptying.
- New bag design features a one micron filter rating. Bag traps over 99% of vacuum particles one micron or larger.



Reusable Felt Bag

Part Number 50683

Hook-Face Closure

- 14-1/2" (368 mm) long x 7-1/2" (191 mm) wide.
- New bag design features a one-micron filter rating. Bag traps over 99% of vacuum particles one micron or larger.



Reusable Felt Bag

Part Number 56304

Zipper-Lock Closure

- 14-1/2" (368 mm) long x 7-1/2" (191 mm) wide.
- New bag design features a one micron filter rating. Bag traps over 99% of vacuum particles one micron or larger.



Durable Box Receptacle

Part Number 95575

- A pre-punched hole accepts 1" (25 mm) diameter Dynabrade vacuum hoses.
- Receptacle houses a throw-away paper vacuum bag.
- Paper bag reorder (50692 400/case), (50693 24/pkg).



Self-Contained Dust Collection Systems

Easily Attach to Air-Powered Dynabrade Vacuum Tools

Mini-Flex-Hose System

Part Number 54284

- 95580 Air Line 1/4" (6 mm) dia. x 28" (711 mm) long.
- 50638 Flex-Hose 1" (25 mm) dia. x 18" (457 mm) long.
- 50694 Mini-Reusable Felt Bag.



6' (1.8 m) Long Flex-Hose Systems

- Both systems include 1" (25 mm) dia. x 6' (1.8 m) long 50682 Flex-Hose.

Part Number 50617

- Includes 50683 Bag with hook-face closure.



Part Number 56303

- Includes 56304 Bag with zipper-lock closure.

"Bag-in-Box" System

Part Number 54290

- Includes: 95361 Air Line, 5' (1.5 m) long, 50682 Flex-Hose (1" [25 mm] dia. x 6' [1.8 m] long) and 95575 Durable Box Receptacle (to house bag and store tool).
- Sample paper bag included. Paper bag reorder: 50692 (400/case) or 50693 (24/pkg.)



"Bag-In-Bag" System

Part Number 54288

- 50692 Disposable Vacuum Bag fits inside reusable 50697 Mesh-Style Bag, which attaches to operator's belt for added maneuverability.
- Includes: 50682 Flex Hose (1" [25 mm] dia. x 6' [1.8 m] long), 95361 Air Line (1/4" 96 mm dia. x 5' [1.5 m] long) and 94996 Belt Strap.



Overskirt Shrouds

For Dynorbital® Supreme and Dynorbital-Spirit® Sanders

Overskirt Shrouds

- Has built-in vacuum port.
- Replace standard lip-seal shrouds in seconds.
- Protects pad edges when working near workpiece sides.



Part Number	Pad Diameter	Tool Compatibility
57084	3" (76 mm)	Random Orbital Sanders
	3-1/2" (89 mm)	
57086	5" (127 mm)	Random Orbital Sanders
56063	5" (127 mm)	Wet Random Orbital Sanders
57087	6" (152 mm)	Random Orbital Sanders
56065	6" (152 mm)	Wet Random Orbital Sanders

Overskirt Shroud Conversion Kits

- All-in-one kit allows conversion of non-vacuum tools to self-generated or central vacuum tools.
- For use on 5" (127 mm) or 6" (152 mm) Dynorbital-Spirit® and Dynorbital® Supreme sanders.



Part Number	Pad Diameter	Conversion Type
57556	5" (127 mm)	Self-Generated Vacuum
57557	5" (127 mm)	Central Vacuum
57558	6" (152 mm)	Self-Generated Vacuum
57559	6" (152 mm)	Central Vacuum

Exhaust Hose and Air Line Assemblies

For air exhaust and dust collection

Overhose Assembly

- May be used to further reduce noise levels by as much as 5 dB(A).
- Overhose redirects exhaust away from operator and workpiece.



Part Number 94994

1-1/4" Diameter x 3' Long

- Use with disc sanders and die grinders that feature our short muffler.

Part Number 53621

1-3/4" Diameter x 3' Long

- Use with 1 hp disc sanders and die grinders.

Hose Cover



Part Number 95986

5' (1.5 m) Long Cloth Cover

- Covers air line and exhaust/vacuum hoses (not included).
- Eliminates damage from hoses dragging on the workpiece.

Rubber Connectors



Part Number 95362 (5/pkg.)

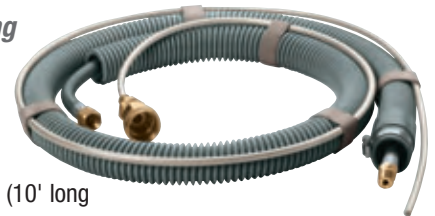
- Used to strap tool air line to tool's exhaust hose for easy "all-in-one" maneuverability.

Overhose Water Line Assembly

Part Number 95801

1" Diameter x 4-1/2' Long

- 95596 Flex Hose (1" dia. x 4-1/2' long with cuff).
- 95361 Air Line (1/4" dia. x 5' long).
- 95579 Water Line Assembly (10' long with fittings).
- 95362 Rubber Connectors.
- Use with Wet Sanders.



Air Line/Vac Hose Adapter

Part Number 96020

1-1/2" Diameter x 18" Long

- Allows Dynorbital® Supreme (Palm-Style or Two-Hand) to be coupled with European vacuum system.
- 95847 Exhaust Hose: 1-1/2" diameter.
- 96104 Hose Cuff with air line port.
- 96019 Air Line: 1/4" dia. x 18" long.
- 96102 Hose Cuff.



Downdraft Sanding Tables

Eliminate Airborne Dust and Contaminants While Sanding

Standard Duty Tables

64201 - Working Area of 33" (838 mm) W x 41" (104 cm) L

64699 - Working Area of 33" (838 mm) W x 60" (152 cm) L

64700 - Working Area of 36" (914 mm) W x 72" (183 cm) L

- Ideal for use with vacuum-ready or non-vacuum tools.
- Dual filtration – accepts 1-micron pleated paper filters: 20" (508 mm) W x 25" (635 mm) L
 - Models 64201 and 64699 include two filters.
 - Model 64700 includes three filters.
- Rhino Linings® coated tabletop surface is durable and anti-slip.
- Two handy storage compartments for tools and accessories.
- 5" (127 mm) dia. casters allow easy maneuverability of table.
- Two convenient dust-tight electric outlets.
- Power source: One heavy duty electric motor, 1.0 hp.
- Electric capacity: 110 volt, 220 volt (single phase); three phase available upon request.
- Each model includes one pre-filter blanket.
- Two paper filters to choose from: 20" (508 mm) W x 25" (635 mm) L x 2" (51 mm) thick
 - 64671 Standard Paper Air Filter.
 - 64672 UL-Rated Class I Non-Flammable Air Filter (recommended when sanding bare metal).



Model 64201



Model 64700

Heavy Duty Table

64657 Working Area of 48" (122 cm) W x 96" (244 cm) L

- Up to 70% more filter area than competitive brands.
- Dual filtration – pre-filter blanket and 1-micron paper filters.
- Includes twelve paper filters
 - Eight 64658 filters: 20" (508 mm) x 25" (635 mm)
 - Four 64659 filters: 16" (406 mm) x 25" (635 mm)
- High quality reverse incline blowers. Heavy duty TEFC twin electric motors.
- Base unit is all-metal construction with CNC milled 3/4" (19 mm) MDF tabletop.
- Optional anti-static and anti-slip mat available (64970) as well as optional 5" (127 mm) diameter casters.
- Power source: Two heavy duty TEFC electric motors, 1.5 hp.
- Electric capacity: 115 volt (single phase), 208 volt (three phase), 230 volt (single phase), 230 volt (three phase); 460 volt (three phase) available upon request.



Model 64657

Model Number	Motor hp	Volts	Phase	Vacuum Suction	Sound Level	Working Area Width	Working Area Length	Height	Shipping Weight
64201	1	110/220	1	3,000 CFM	72 dB(A)	33" (838 mm)	41" (104 cm)	36" (914 mm)	275 lbs. (125 kg)
64657	1.5 (Dual)	115	1	7,000 CFM	75 dB(A)	48" (122 cm)	96" (244 cm)	37" (940 mm)	970 lbs. (440 kg)
64699	1	110/220	1	3,000 CFM	72 dB(A)	33" (838 mm)	60" (152 cm)	36" (914 mm)	285 lbs. (129 kg)
64700	1	110/220	1	3,000 CFM	72 dB(A)	36" (914 mm)	72" (183 cm)	36" (914 mm)	365 lbs. (166 kg)